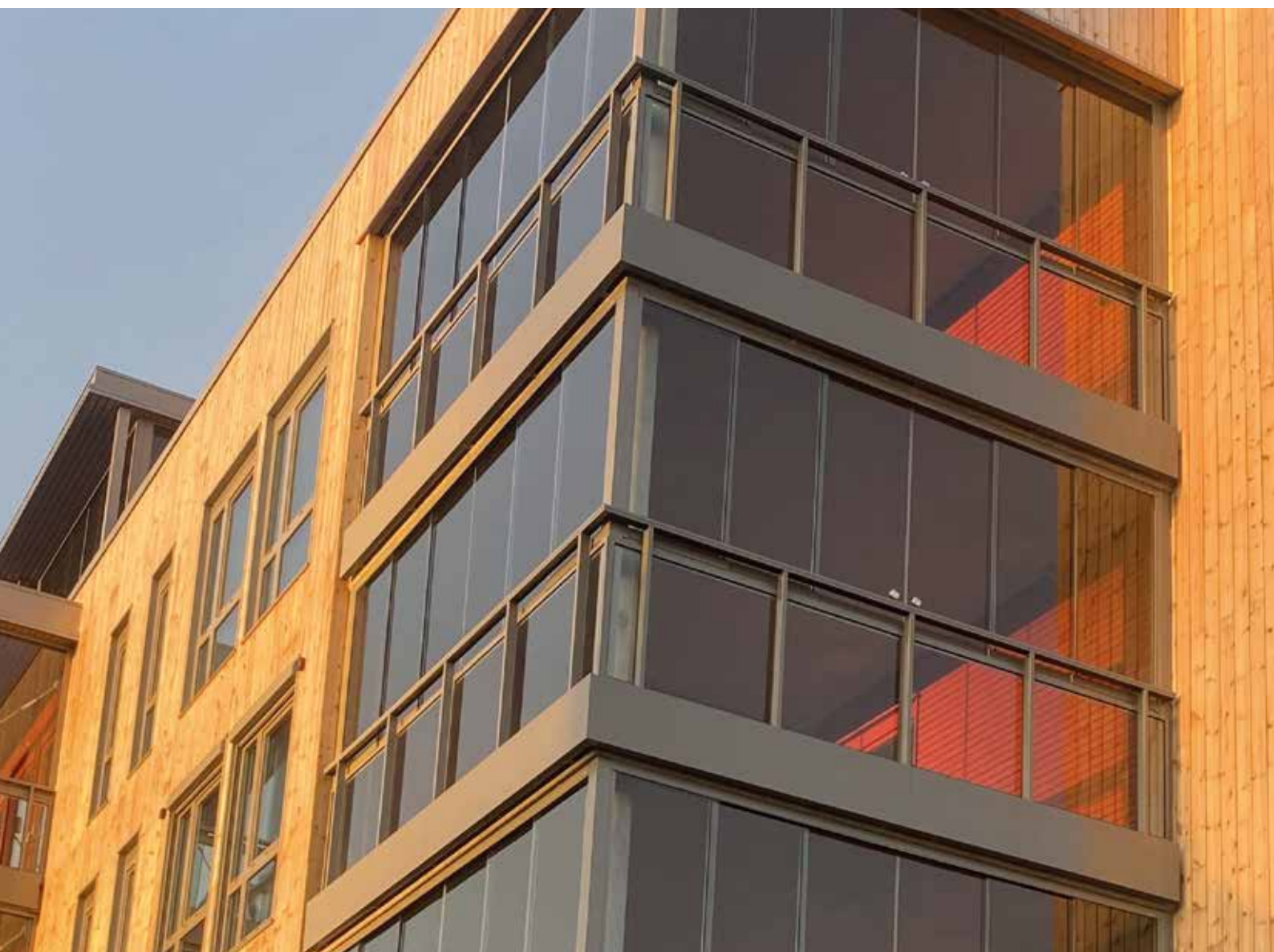


Tekniska ritningar

sunparadise

BALKONGINGLASNING MED SKJUTLUCKOR

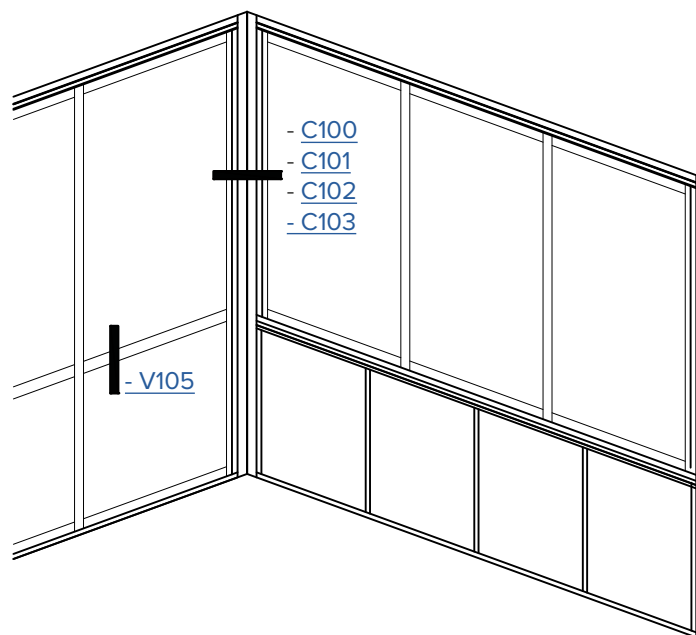
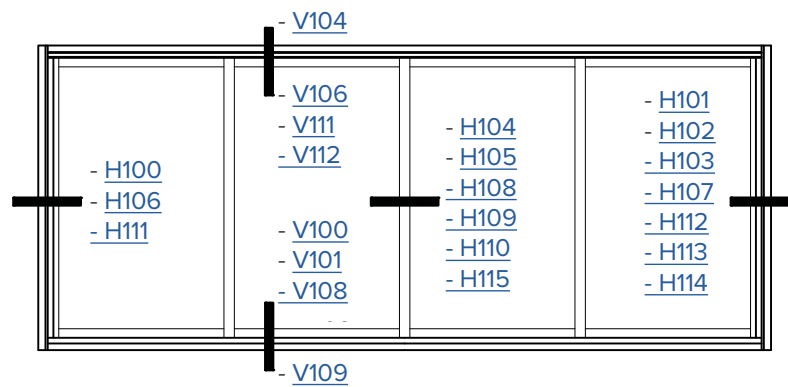
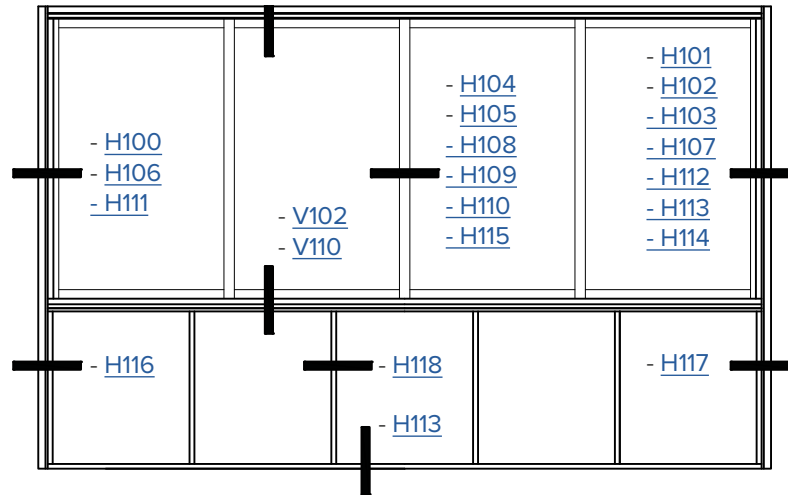
WINDOOR 450 & WINDOOR 450 LUX



Section index	4	Windoor 450 Lux	
Windoor 450 Lux – panel diagram	5	Vertical section bottom rail / U-profile, full glass panel	17
WD450_102		WD450_V109	
Windoor 450 Framed – panel diagram	6	Windoor 450 Lux	
WD450_103		Vertical section bottom rail / parapet, full glass panel	18
Windoor 450 Framed O – panel diagram	7	WD450_V110	
WD450_104		Windoor 450 Lux	
Windoor 450		Vertical section top, full glass panel	19
Vertical section bottom rail, framed panel	8	WD450_V111	
WD450_V100		Windoor 450 Lux	
Windoor 450		Vertical section top rail / parapet, ull glass panel	20
Vertical section bottom rail / U-profile, framed panel	9	WD450_V112	
WD450_V101		Windoor 450 Parapet	
Windoor 450		Vertical section bottom parapet	21
Vertical section bottom rail / parapet, framed panel	10	WD450_V113	
WD450_V102		Windoor 450	
Windoor 450		Horizontal section wall-U, framed panel	22
Vertical section top rail, framed panel	11	WD450_H100	
WD450_V103		Windoor 450	
Windoor 450		Horizontal section wall-U, framed panel	23
Vertical section top rail / U-profile, framed panel	12	WD450_H101	
WD450_V104		Windoor 450	
Windoor 450		Horizontal section wall-43, framed panel	24
Vertical section transom, framed panel	13	WD450_H102	
WD450_V105		Windoor 450	
Windoor 450		Horizontal section wall-86, framed panel	25
Vertical section top, openable panel	14	WD450_H103	
WD450_V106		Windoor 450	
Windoor 450		Horizontal section, framed panel	26
Vertical section bottom, openable panel	15	WD450_H104	
WD450_V107		Windoor 450	
Windoor 450 Lux		Horizontal section, meeting panel framed	27
Vertical section bottom, full glass panel	16	WD450_H105	
WD450_V108		Windoor 450	
		Horizontal section wall-U, openable panel	28
		WD450_H106	

Windoer 450		Windoer 450	
Horizontal section wall-U, openable panel	29	Horizontal section, 90° corner	41
WD450_H107		WD450_C100	
Windoer 450		Windoer 450	
Horizontal section, openable panel	30	Horizontal section, 60° corner	42
WD450_H108		WD450_C101	
Windoer 450		Windoer 450	
Horizontal section, meeting panel openable	31	Horizontal section, 45° corner	43
WD450_H109		WD450_C102	
Windoer 450		Windoer 450	
Horizontal section wall-U, openable panel, only 2 panel	32	Horizontal section, 30° corner	44
WD450_H110		WD450_C103	
Windoer 450 Lux			
Horizontal section wall-U, full glass panel	33		
WD450_H111			
Windoer 450 Lux			
Horizontal section wall-U, full glass panel	34		
WD450_H112			
Windoer 450 Lux			
Horizontal section wall-43, full glass panel	35		
WD450_H113			
Windoer 450 Lux			
Horizontal section wall-86, full glass panel	36		
WD450_H114			
Windoer 450 Lux			
Horizontal section, full glass panel	37		
WD450_H115			
Windoer 450 Parapet			
Horizontal section wall-U / parapet	38		
WD450_H116			
Windoer 450 Parapet			
Horizontal section wall-U / parapet	39		
WD450_H117			
Windoer 450 Parapet			
Horizontal section mullion parapet	40		
WD450_H118			

Section index



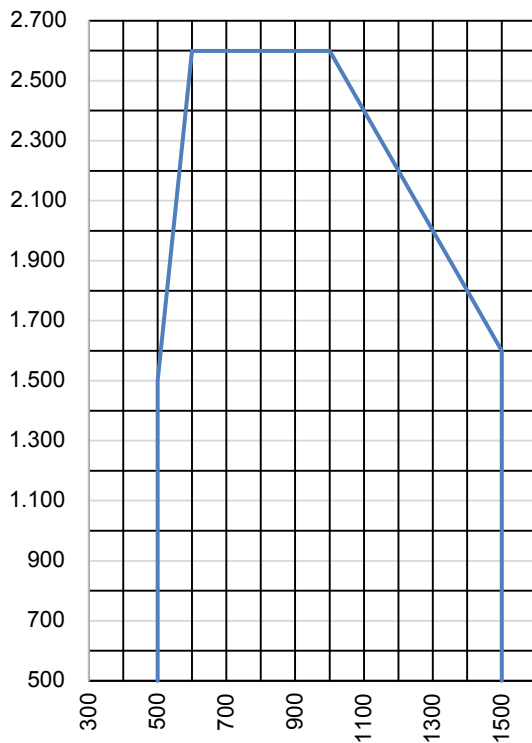
Windoor 450 Lux – panel diagram

WD450_102

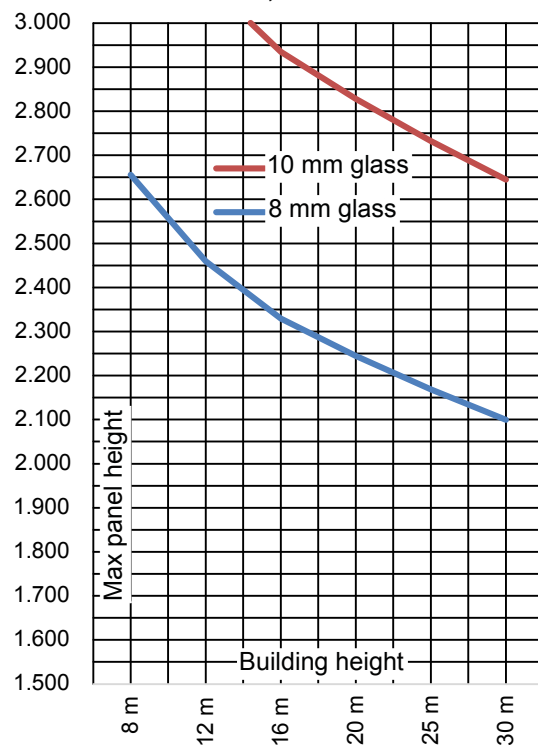
The panel diagrams are based on wind loads and terrain classes for Sweden and can only be seen as a guide for maximum panel size and are without any warranty for Sunparadise.

No scale

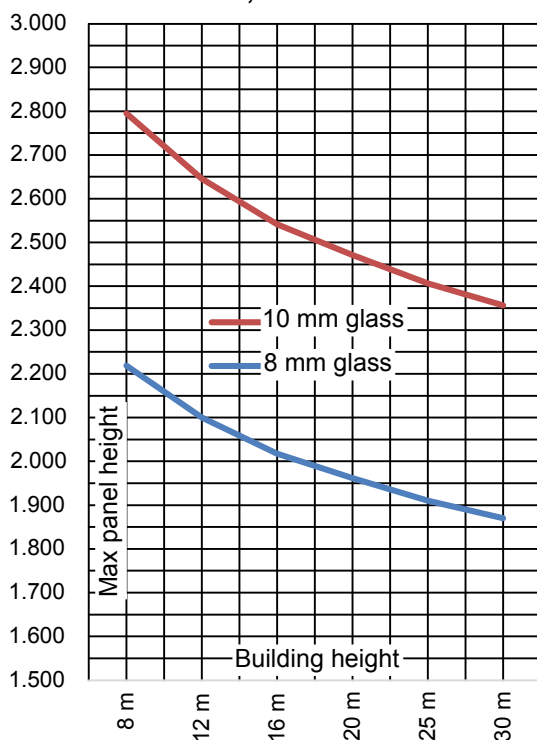
Windoor 450 Lux – panel size



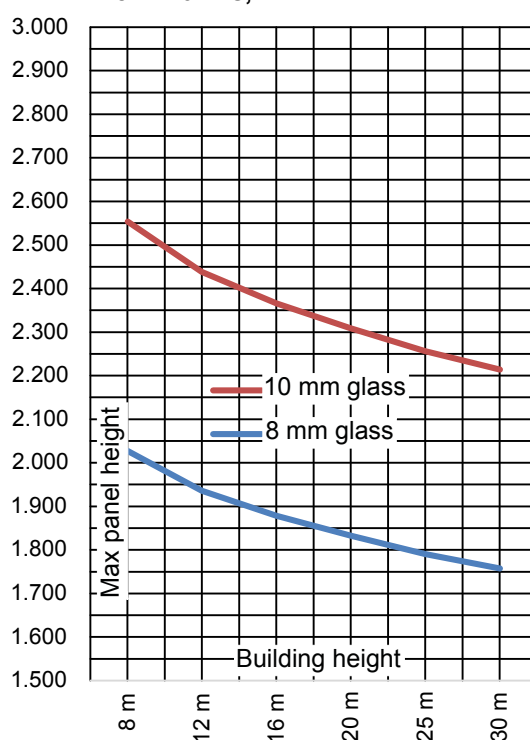
Windoor 450 Lux panel
Vref = 26 m/s, TT3



Windoor 450 Lux panel
Vref = 26 m/s, TT2



Windoor 450 Lux panel
Vref = 26 m/s, TT1



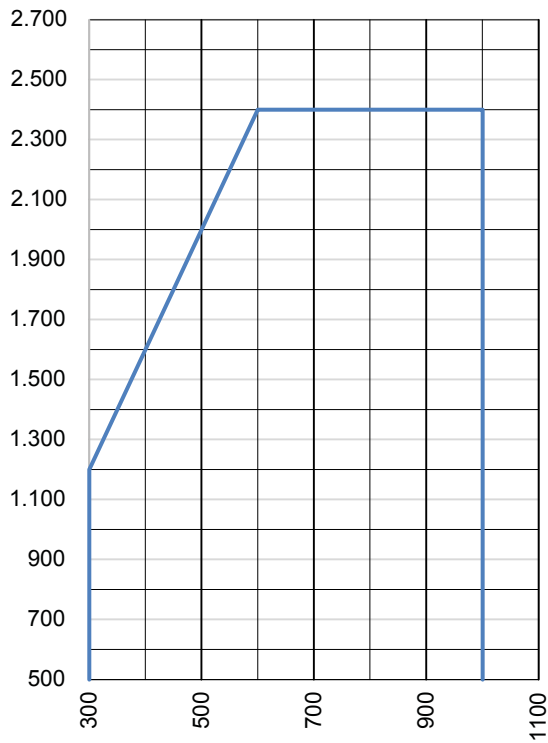
Windoor 450 Framed – panel diagram

WD450_103

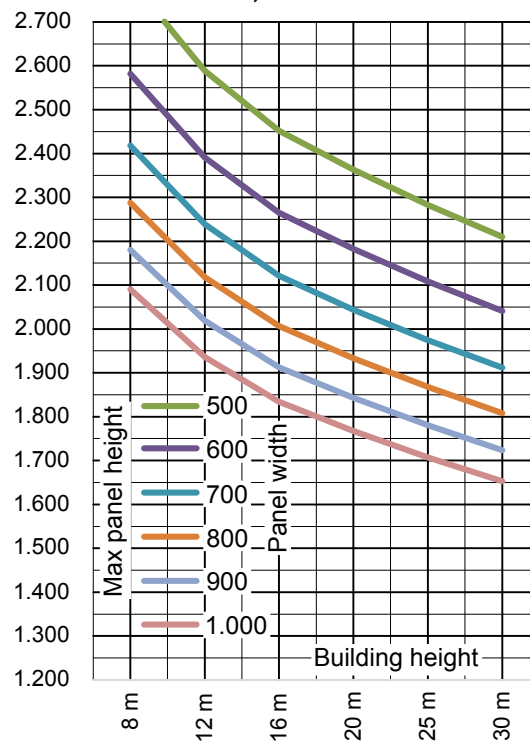
The panel diagrams are based on wind loads and terrain classes for Sweden and can only be seen as a guide for maximum panel size and are without any warranty for Sunparadise.

No scale

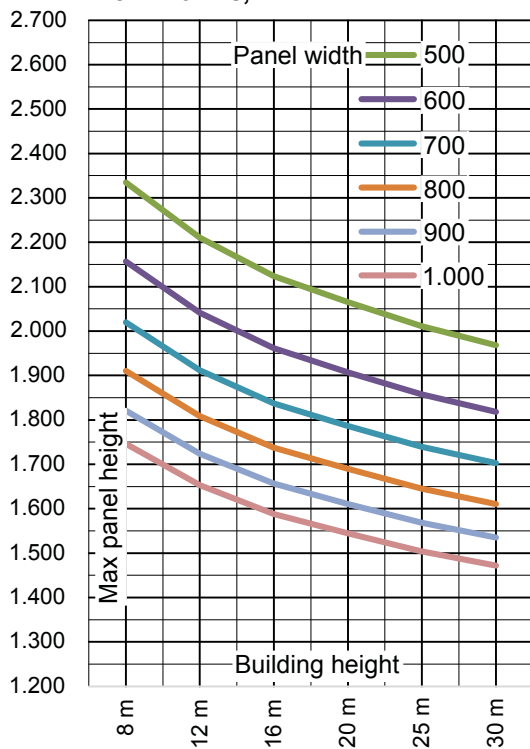
Windoor 450 Framed panel size



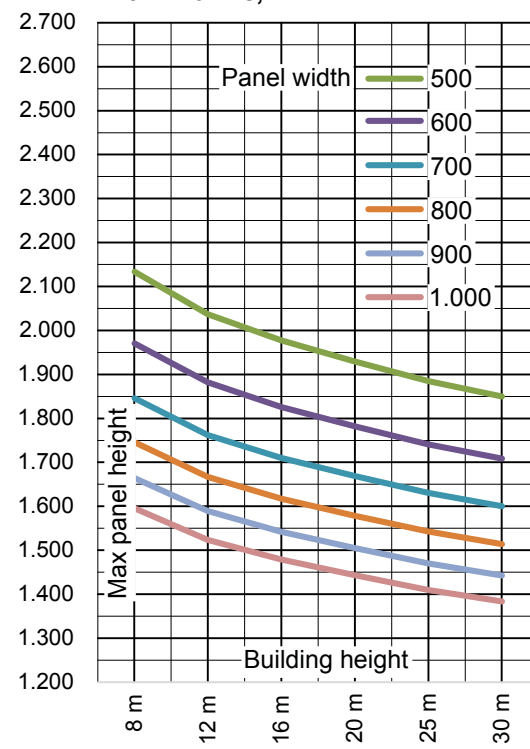
Windoor 450 Framed panel
Vref = 26 m/s, TT3



Windoor 450 Framed panel
Vref = 26 m/s, TT2



Windoor 450 Framed panel
Vref = 26 m/s, TT1

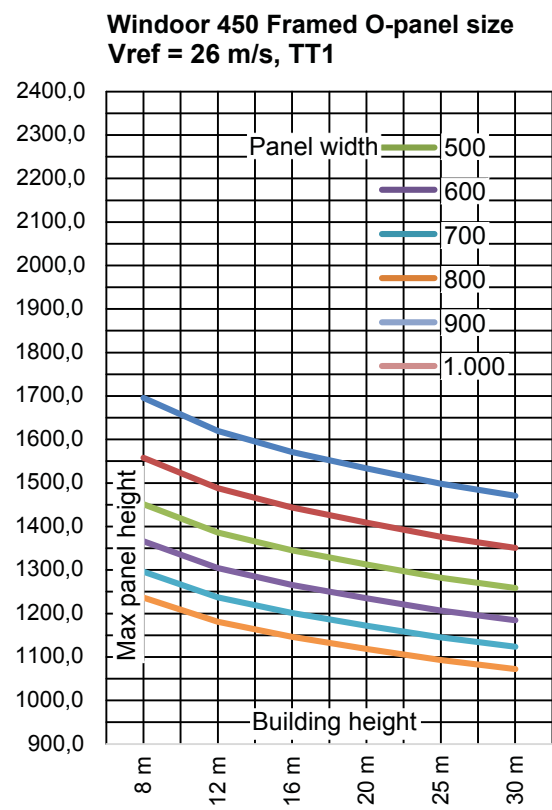
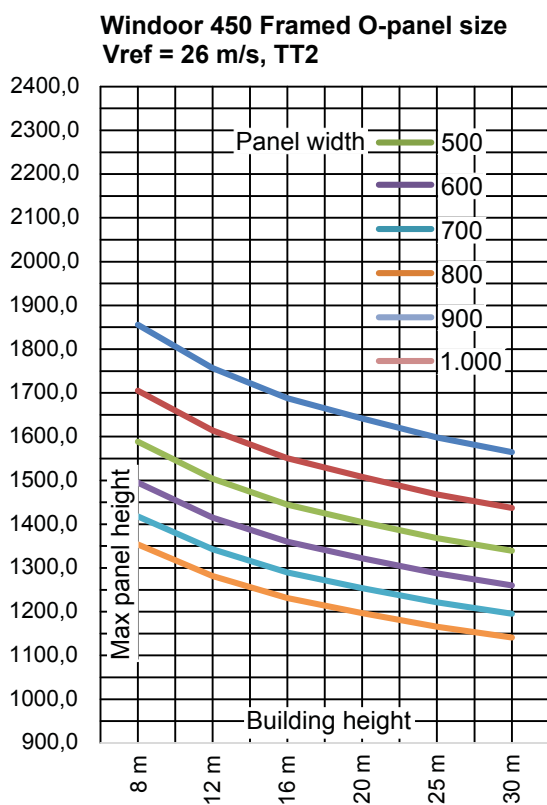
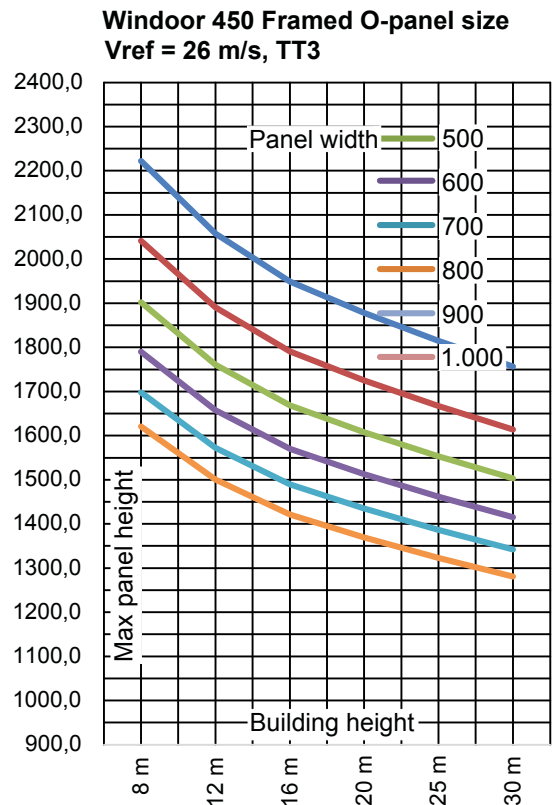
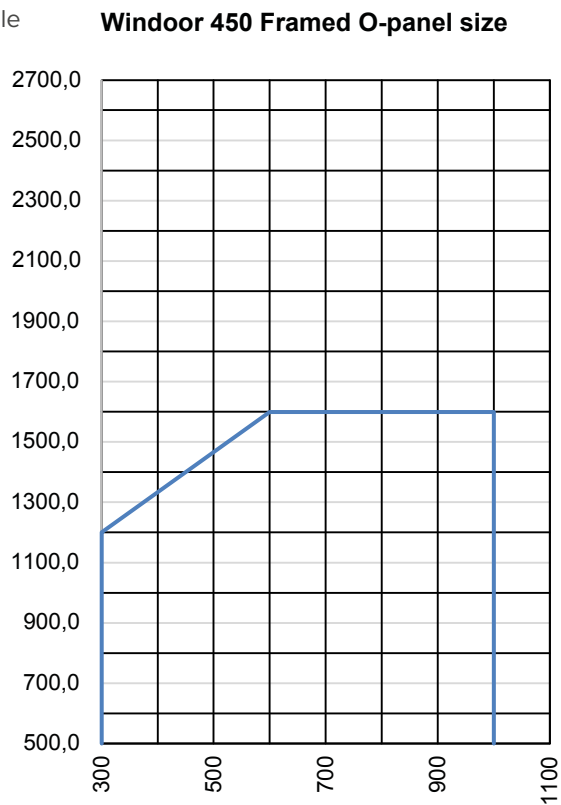


Windoor 450 Framed O – panel diagram

WD450_104

The panel diagrams are based on wind loads and terrain classes for Sweden and can only be seen as a guide for maximum panel size and are without any warranty for Sunparadise.

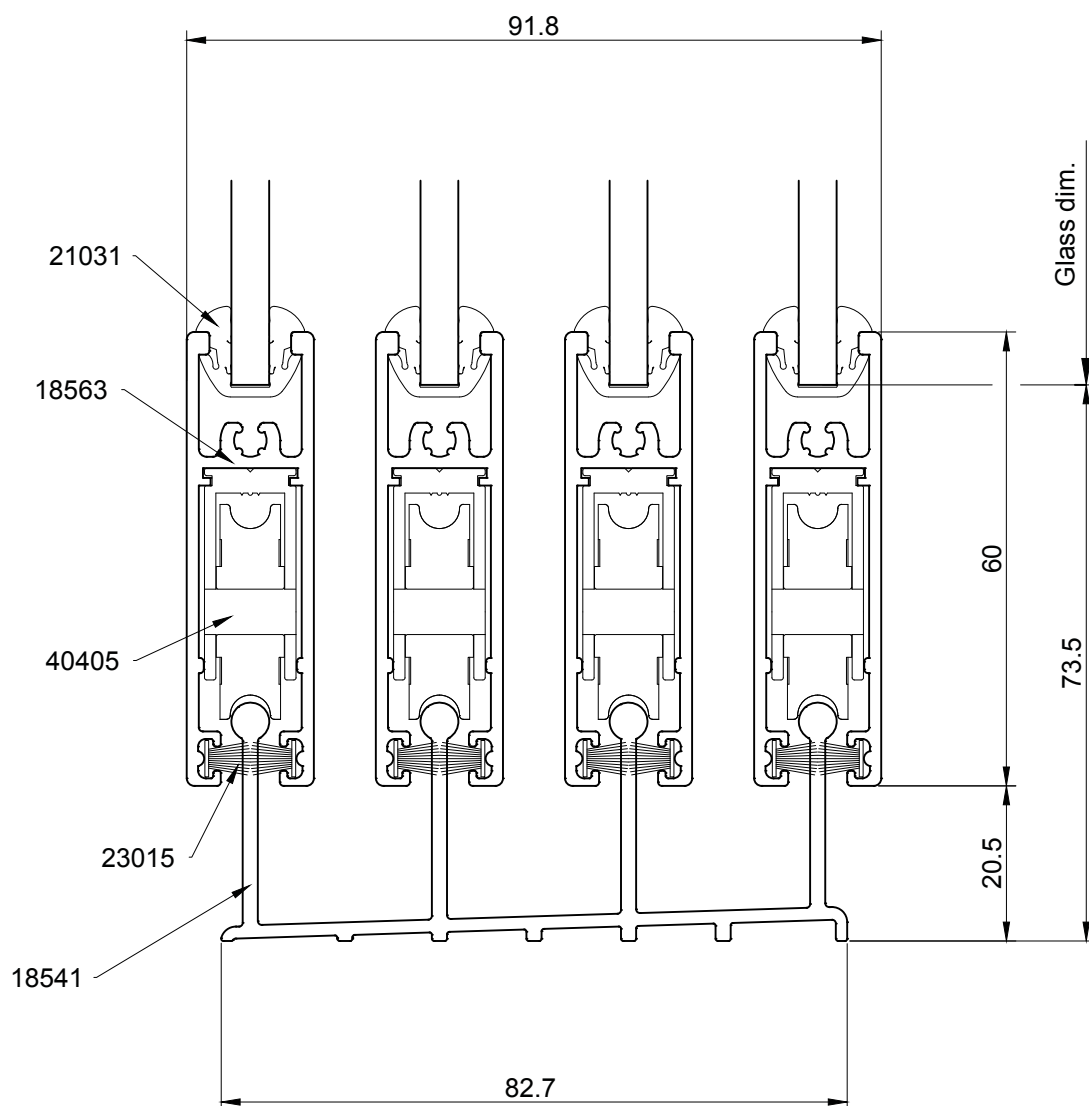
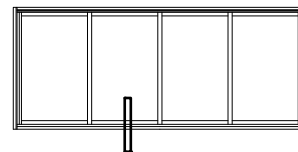
No scale



Windoor 450
Vertical section bottom rail, framed panel

WD450_V100

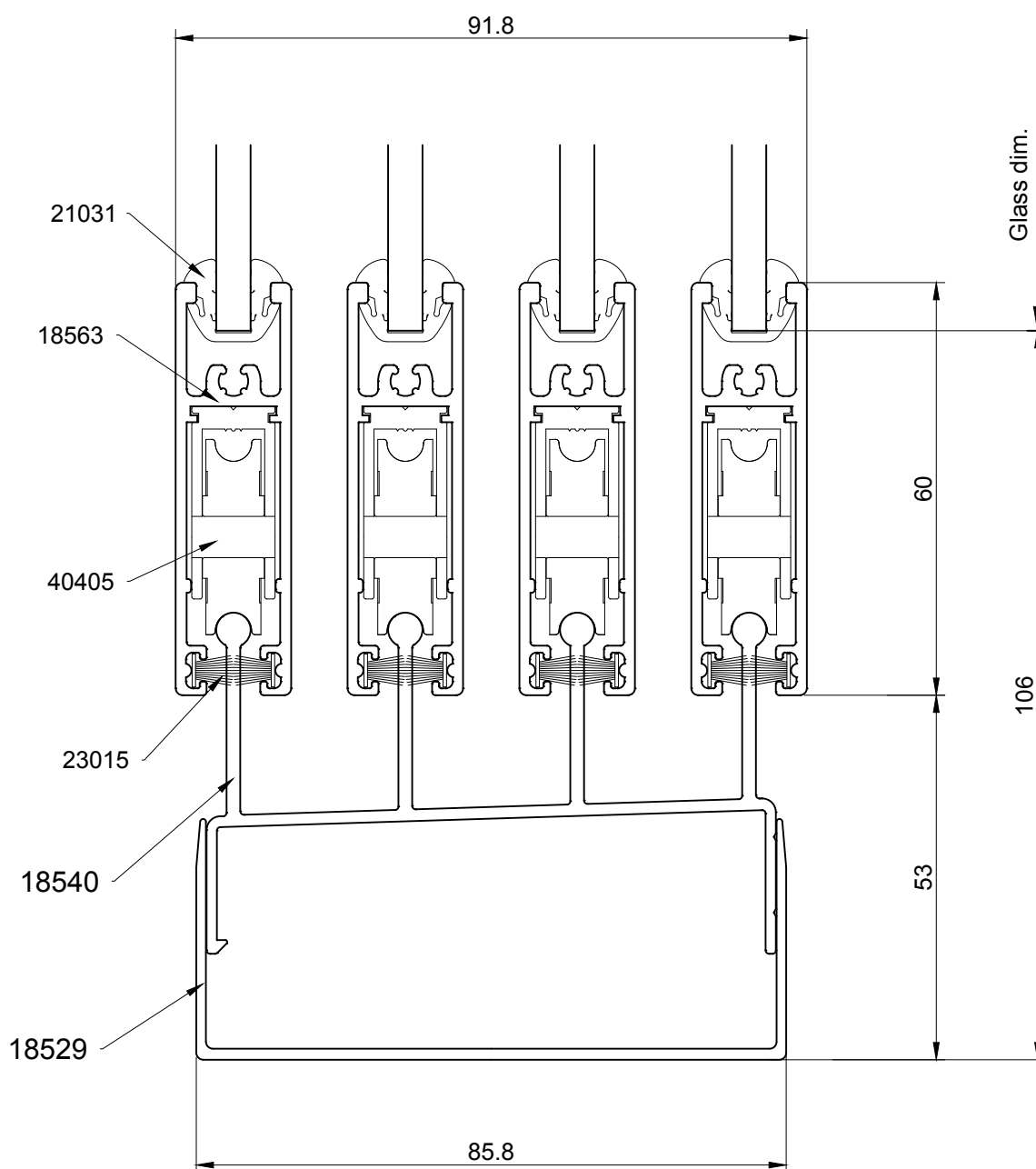
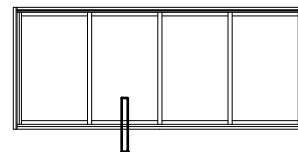
Scale 1:1



Windoor 450
Vertical section bottom rail / U-profile, framed panel

WD450_V101

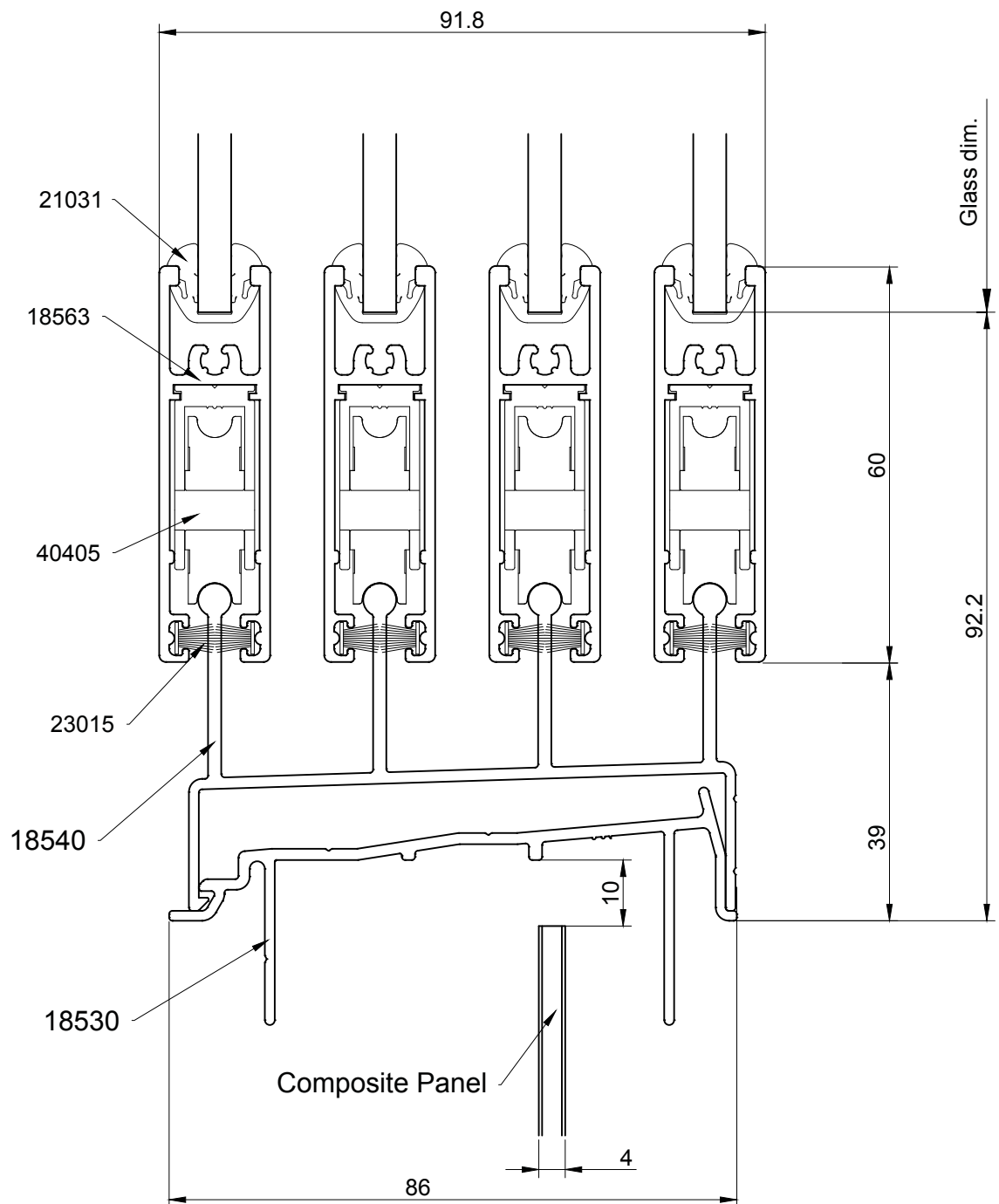
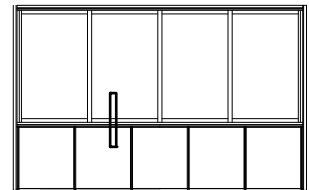
Scale 1:1



Windoer 450
Vertical section bottom rail / parapet, framed panel

WD450_V102

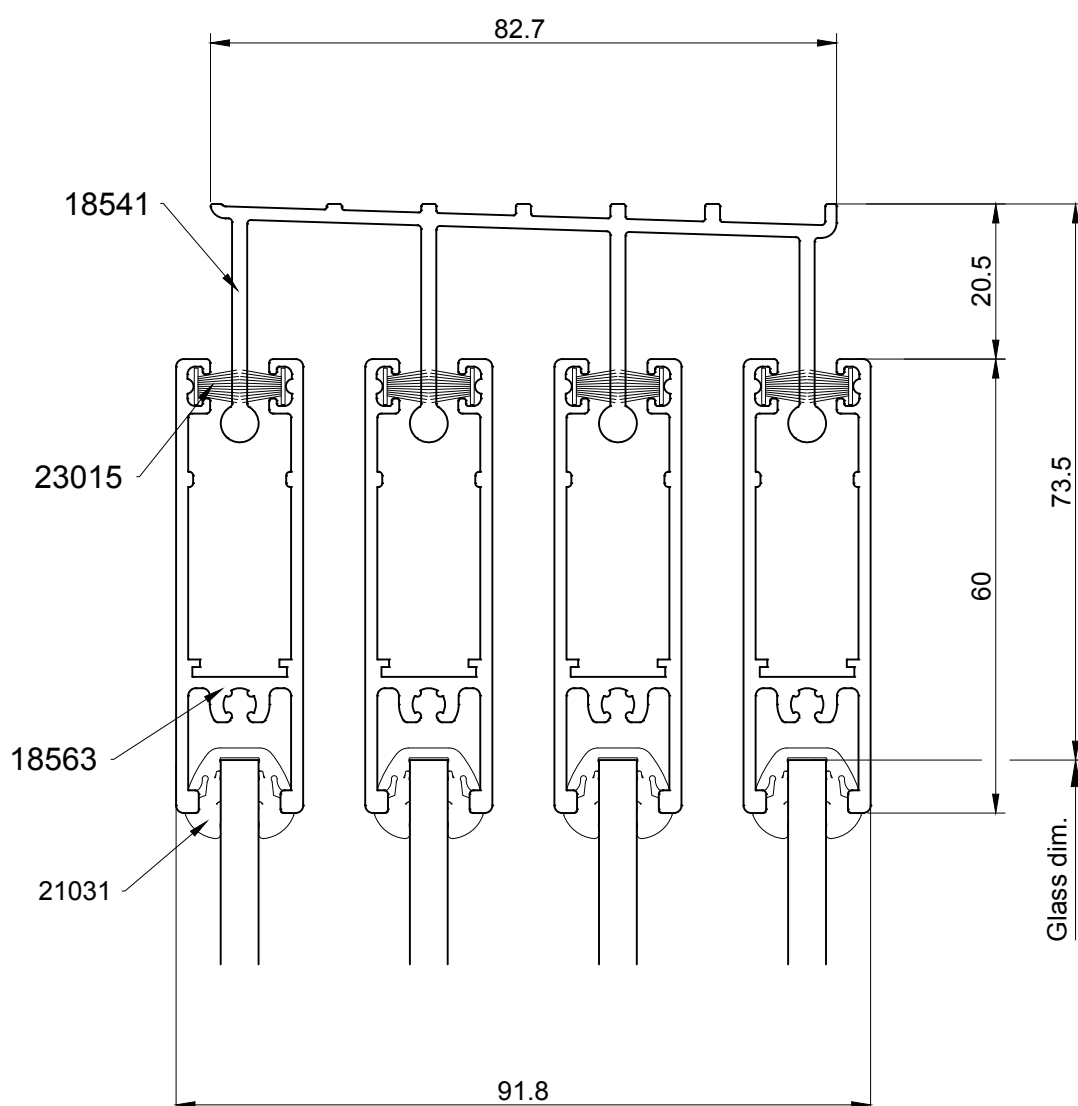
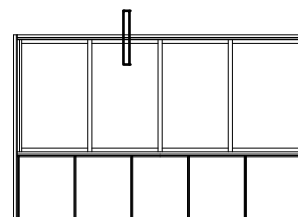
Scale 1:1



Windoer 450
Vertical section top rail, framed panel

WD450_V103

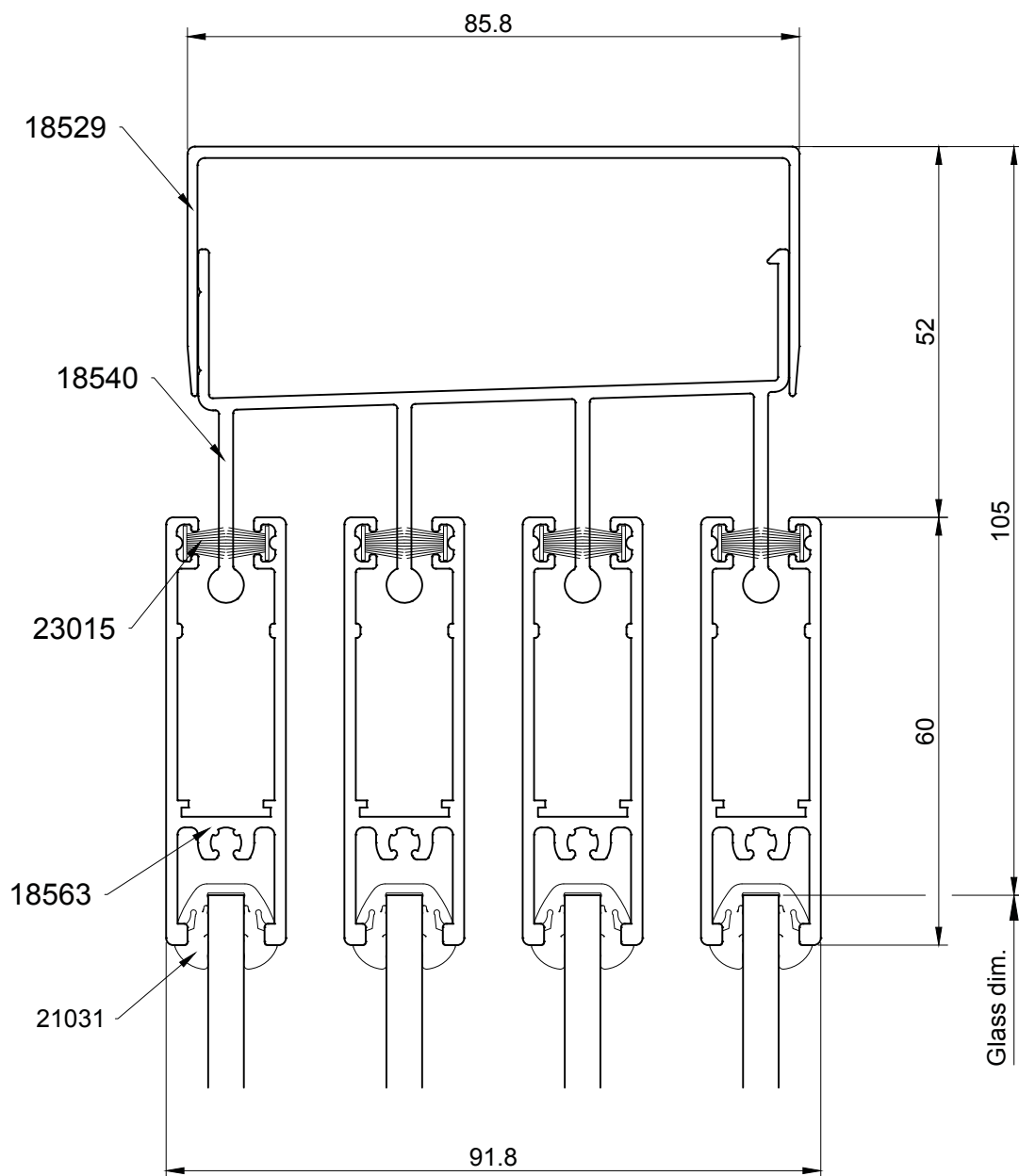
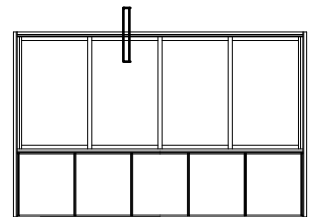
Scale 1:1



Windoor 450
Vertical section top rail / U-profile, framed panel

WD450_V104

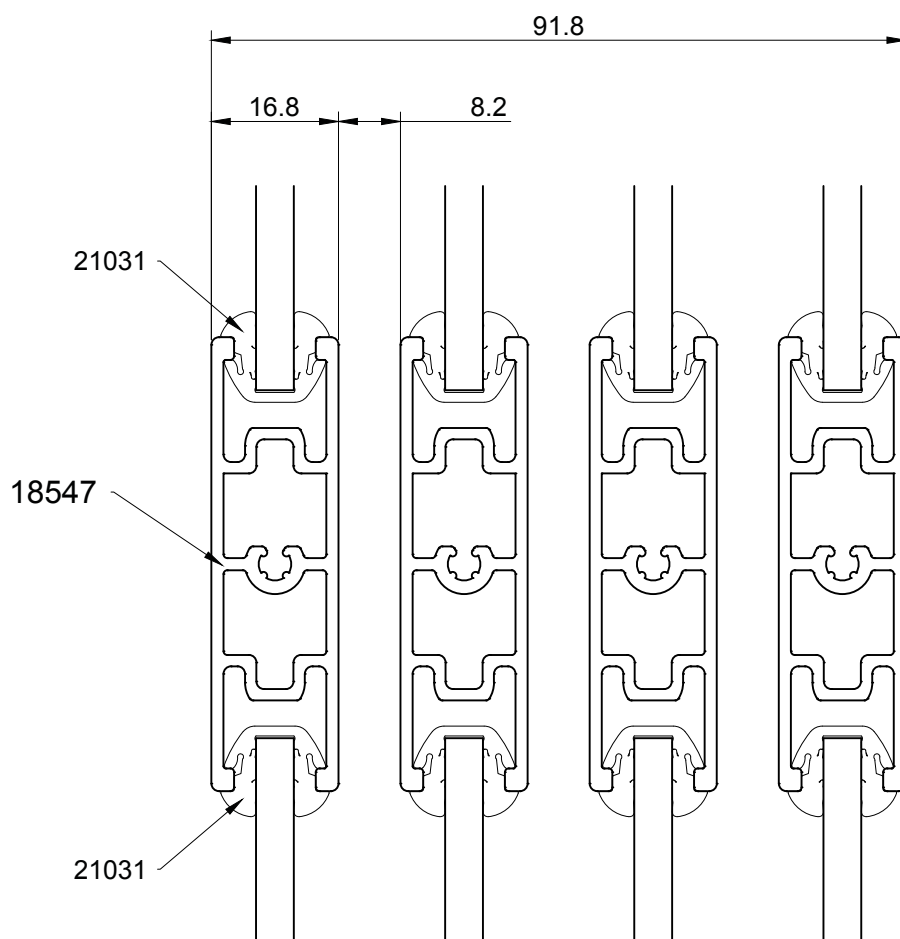
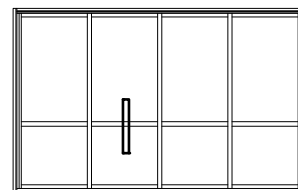
Scale 1:1



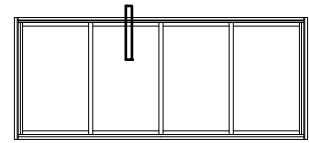
Windoer 450
Vertical section transom, framed panel

WD450_V105

Scale 1:1

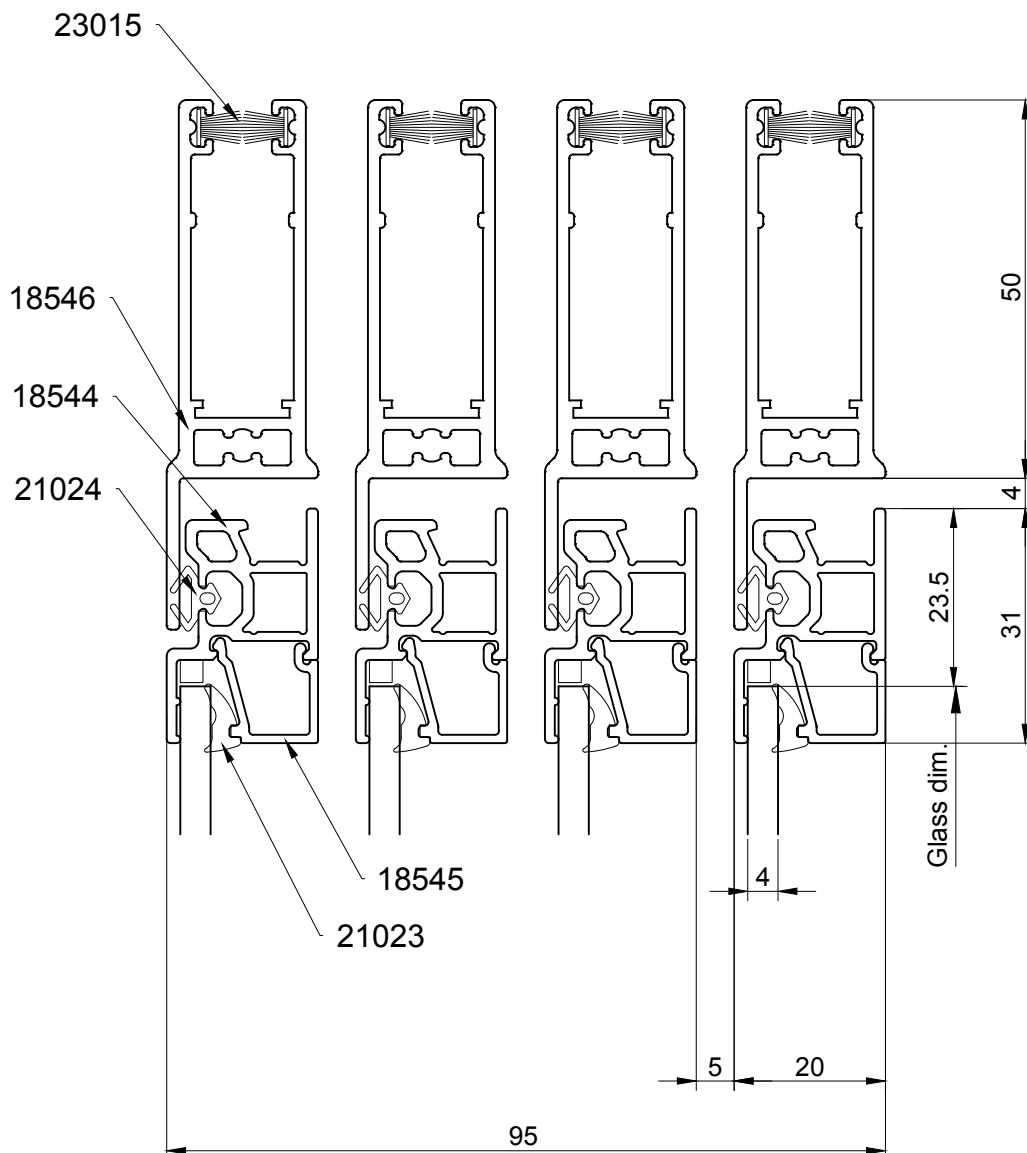


Windoer 450
Vertical section top, openable panel



WD450_V106

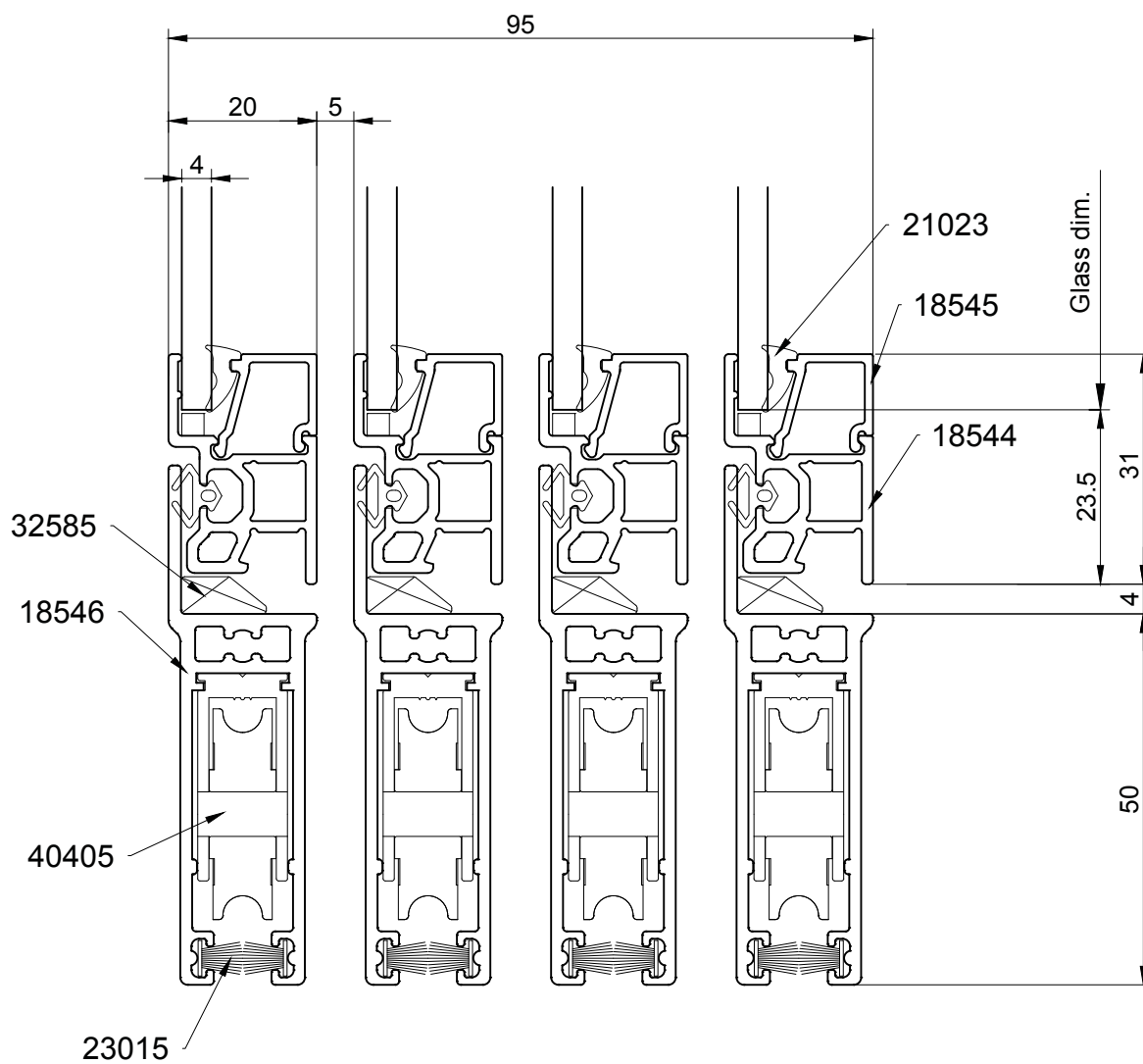
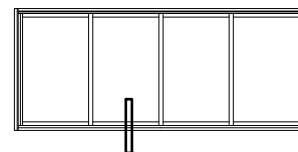
Scale 1:1



Windoor 450
Vertical section bottom, openable panel

WD450_V107

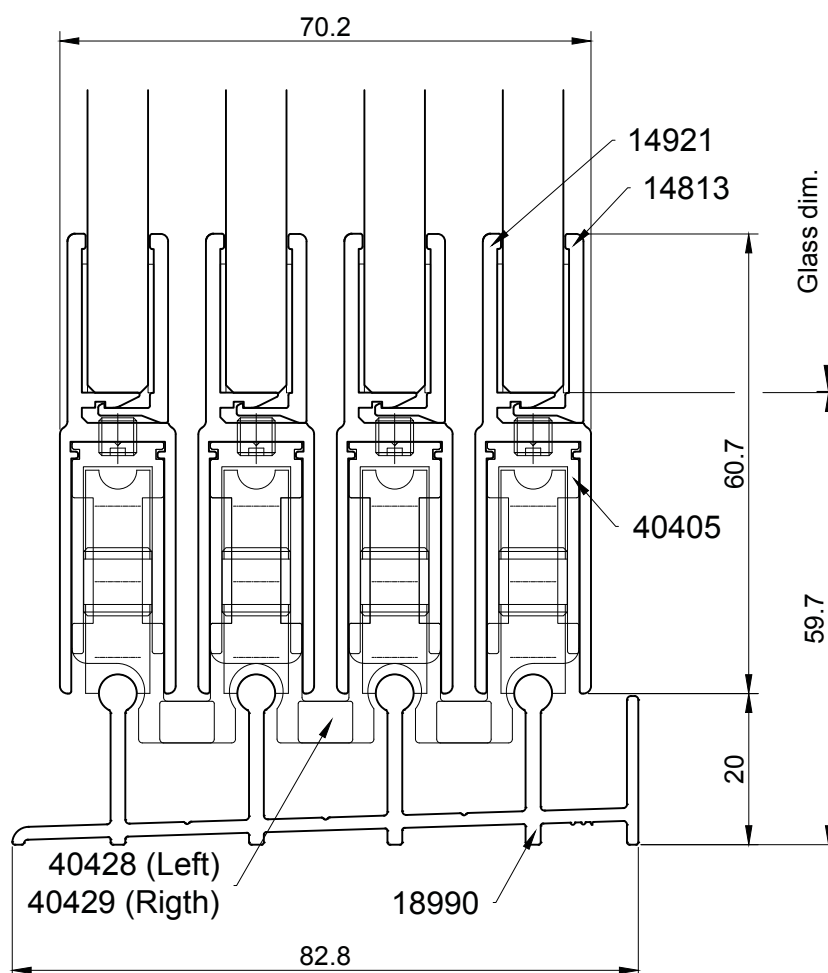
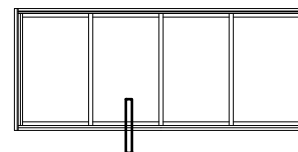
Scale 1:1



Windoor 450 Lux
Vertical section bottom, full glass panel

WD450_V108

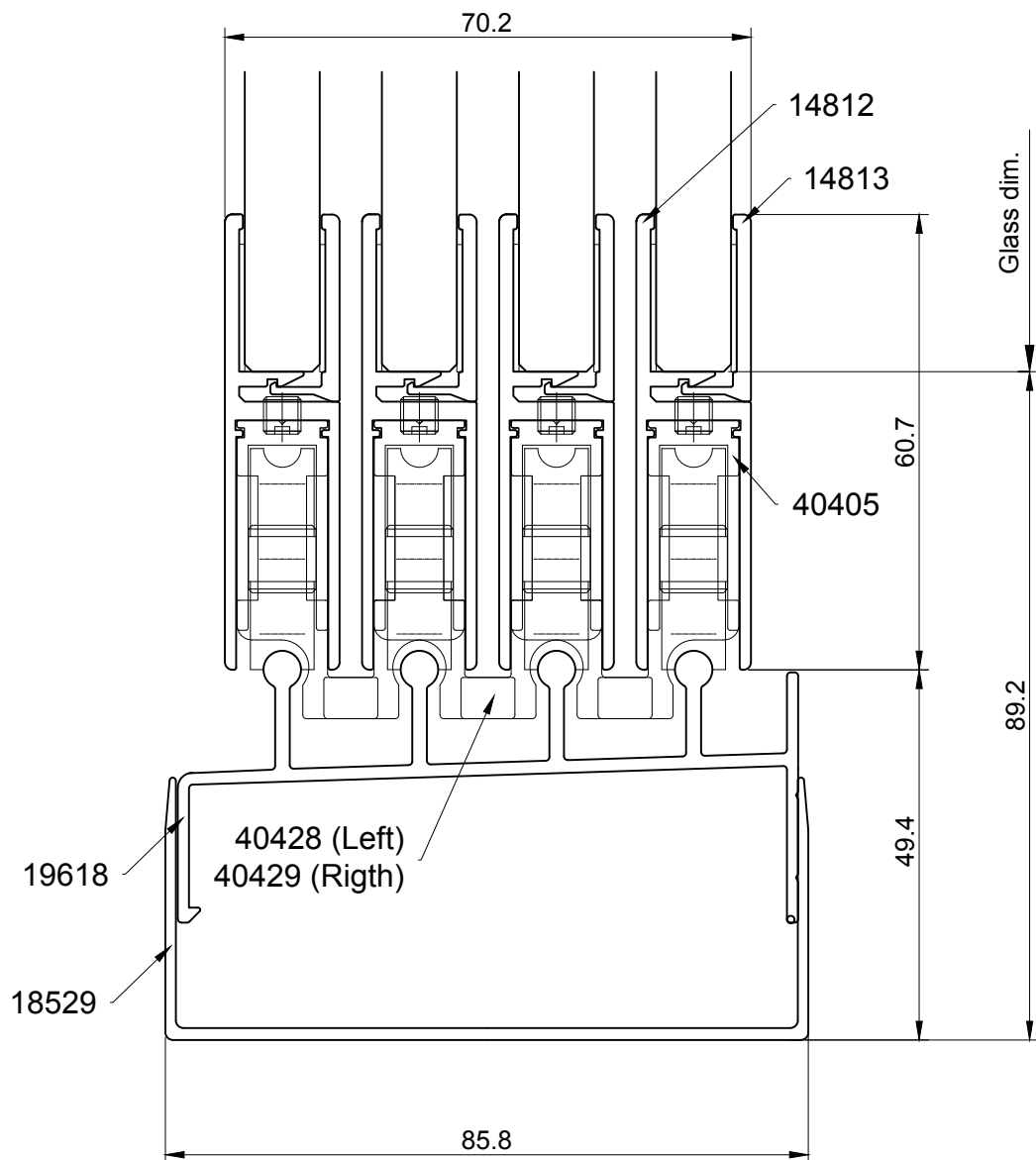
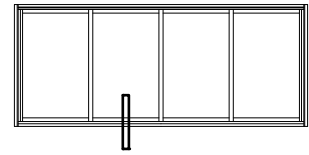
Scale 1:1



Windoer 450 Lux
Vertical section bottom rail / U-profile, full glass panel

WD450_V109

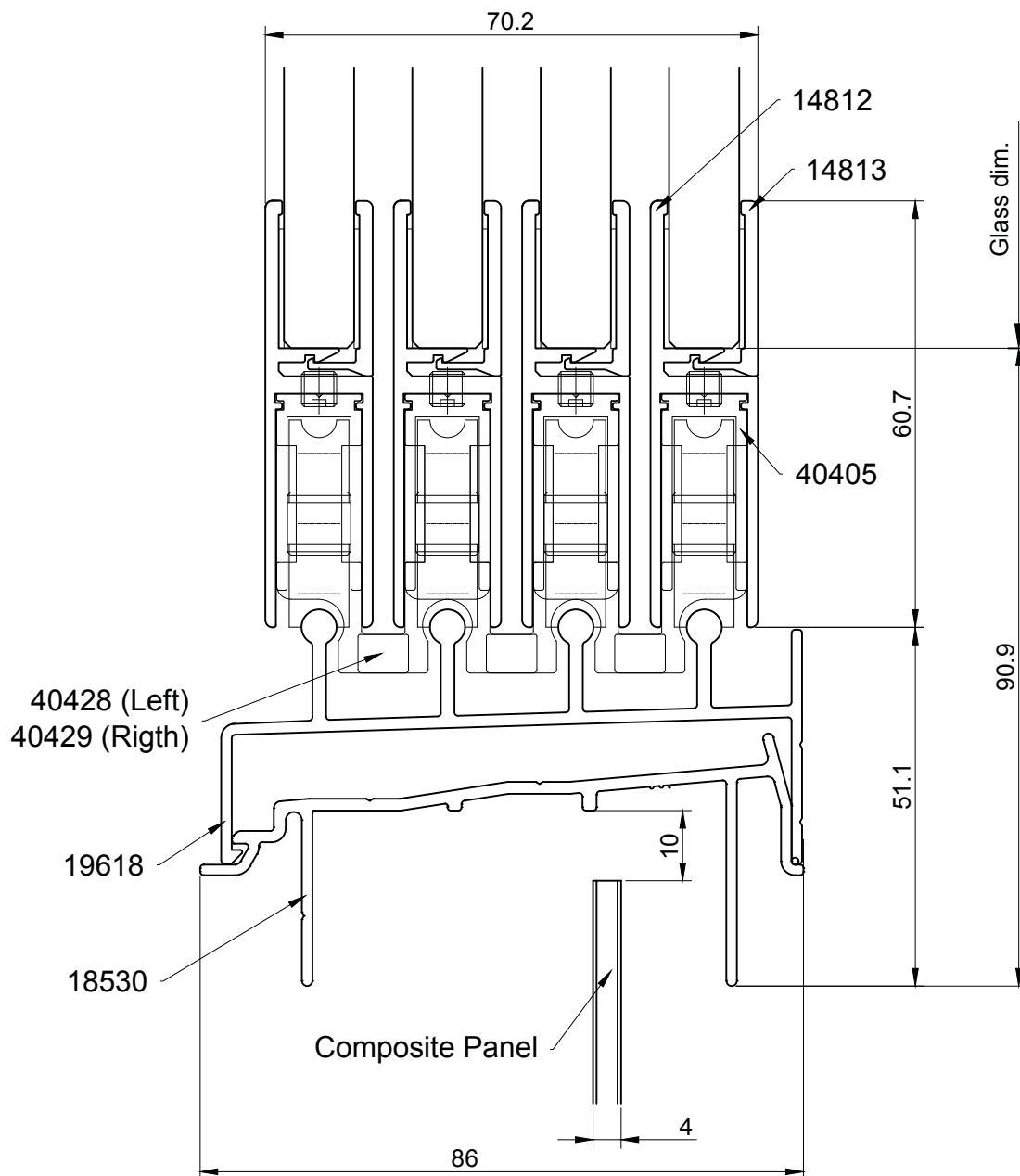
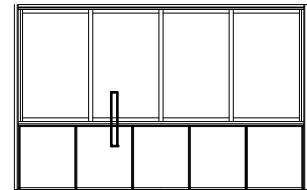
Scale 1:1



Windoor 450 Lux
Vertical section bottom rail / parapet, full glass panel

WD450_V110

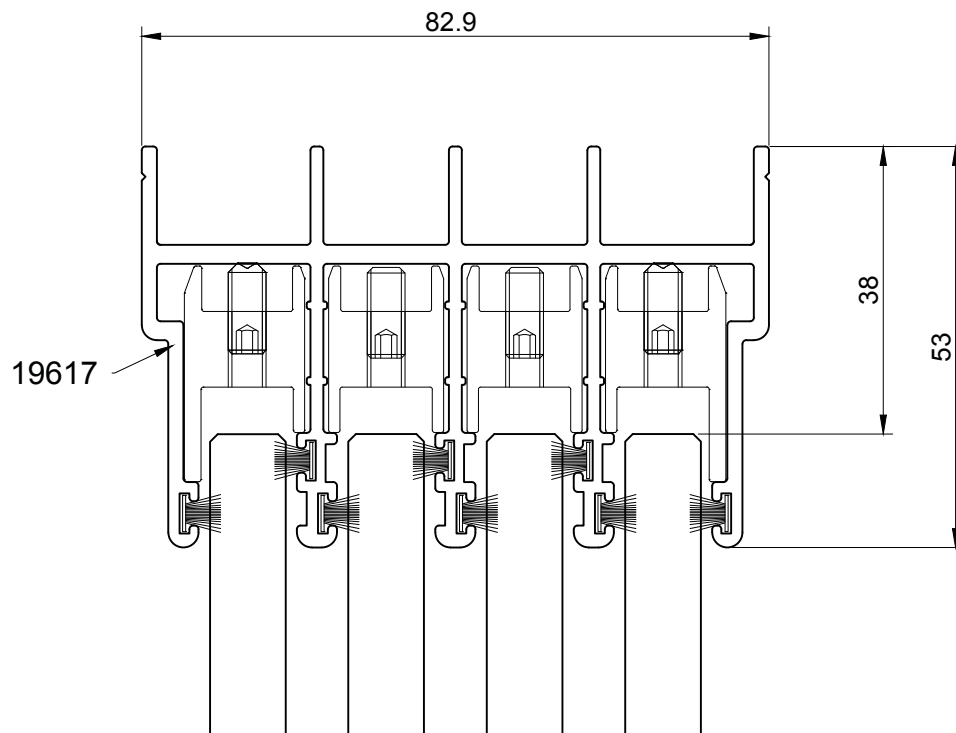
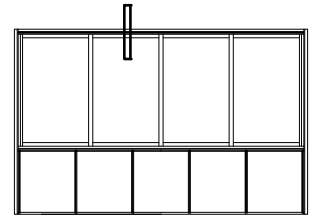
Scale 1:1



Windoor 450 Lux
Vertical section top, full glass panel

WD450_V111

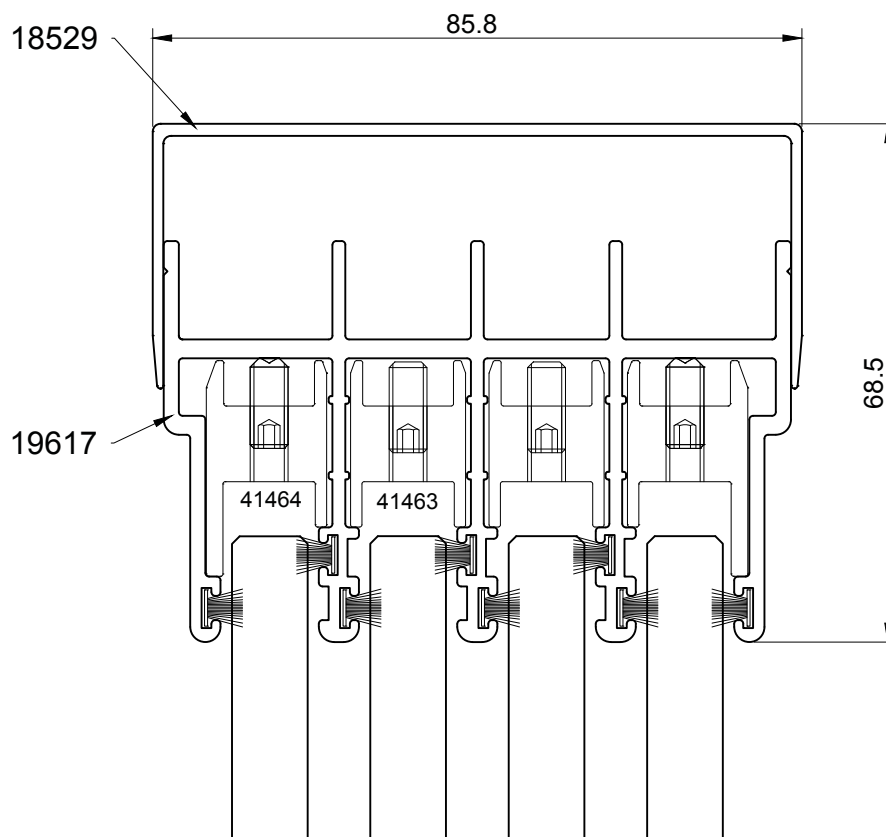
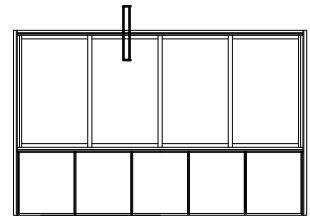
Scale 1:1



Windoor 450 Lux
Vertical section top rail / parapet, full glass panel

WD450_V112

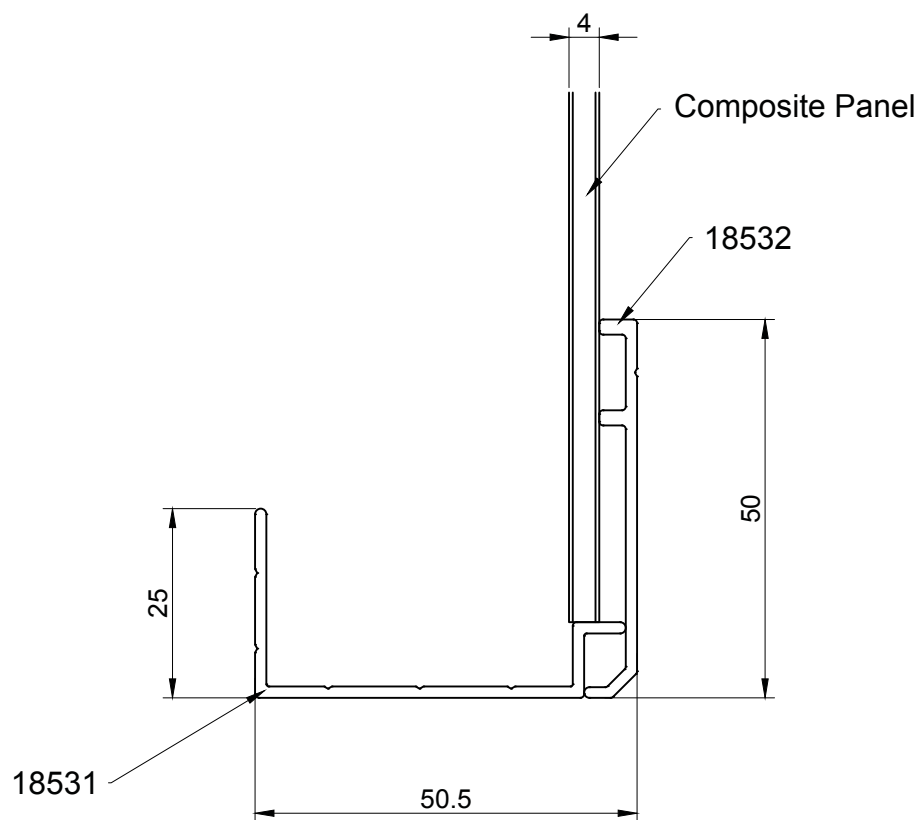
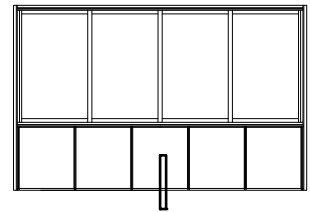
Scale 1:1



Windoer 450 Parapet
Vertical section bottom parapet

WD450_V113

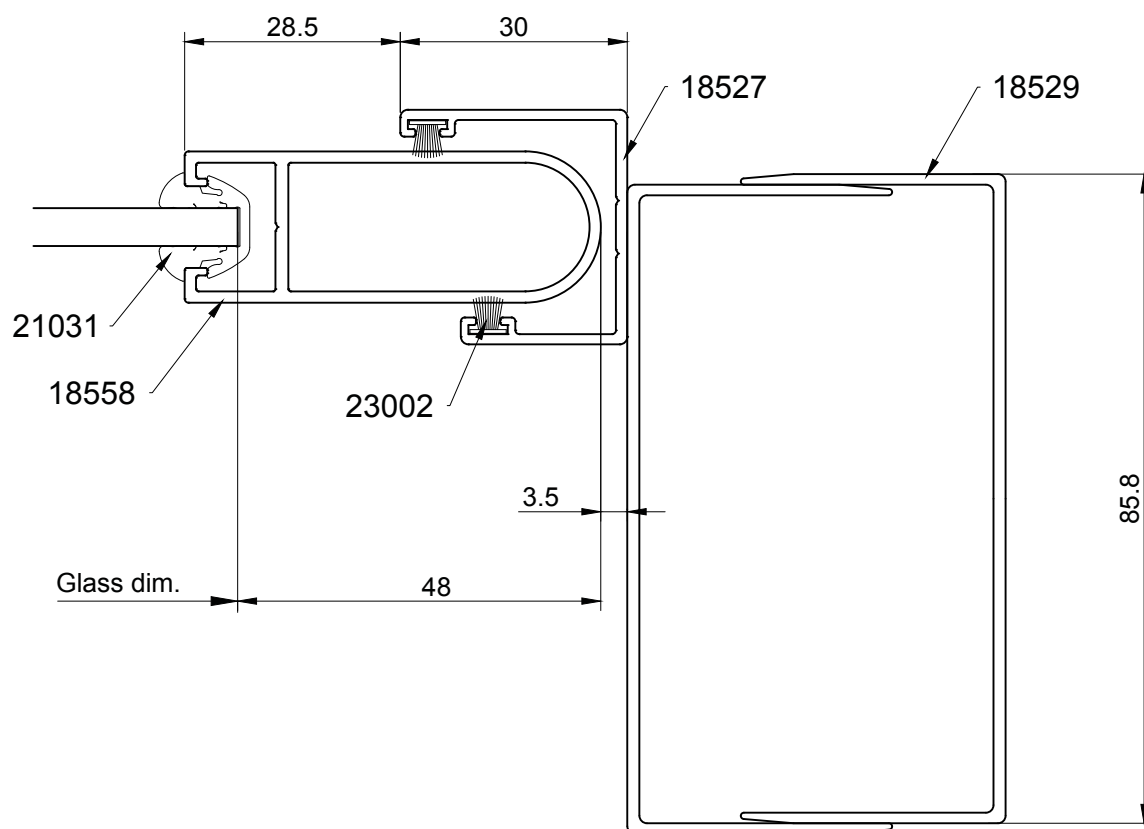
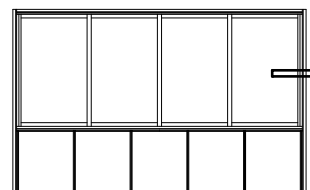
Scale 1:1



Windoor 450
Horizontal section wall-U, framed panel

WD450_H101

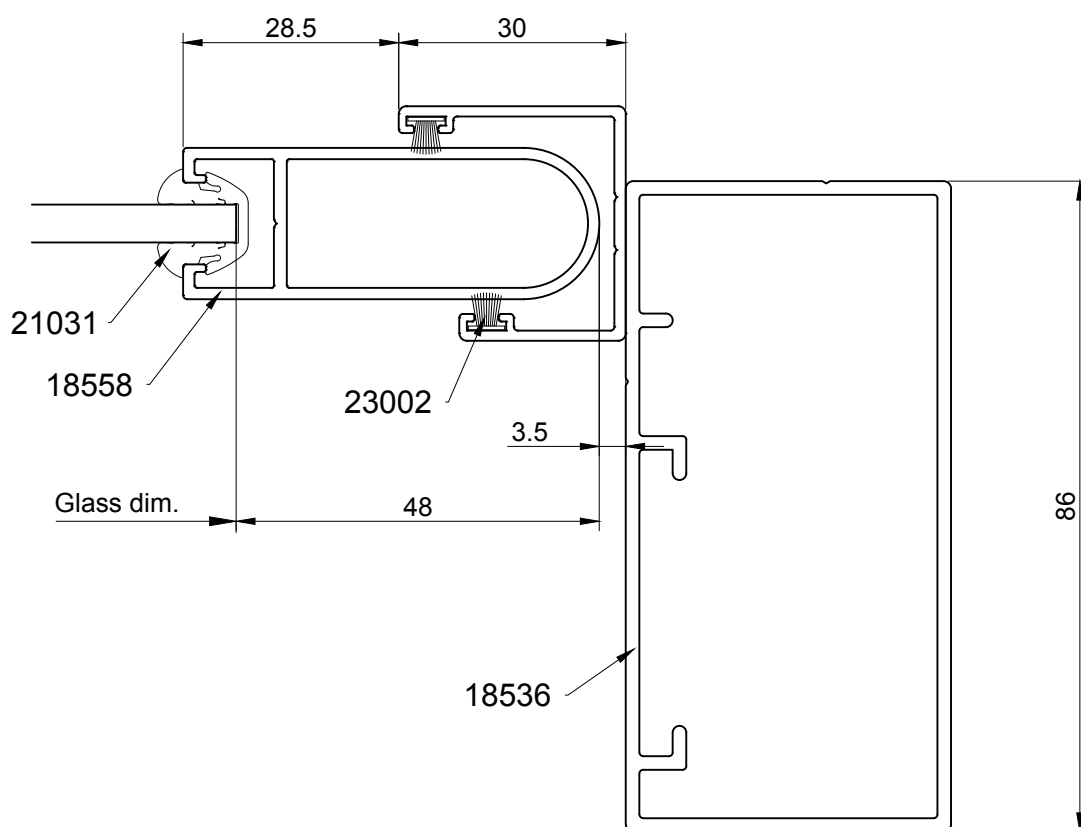
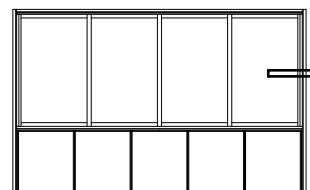
Scale 1:1



Windoer 450
Horizontal section wall-43, framed panel

WD450_H102

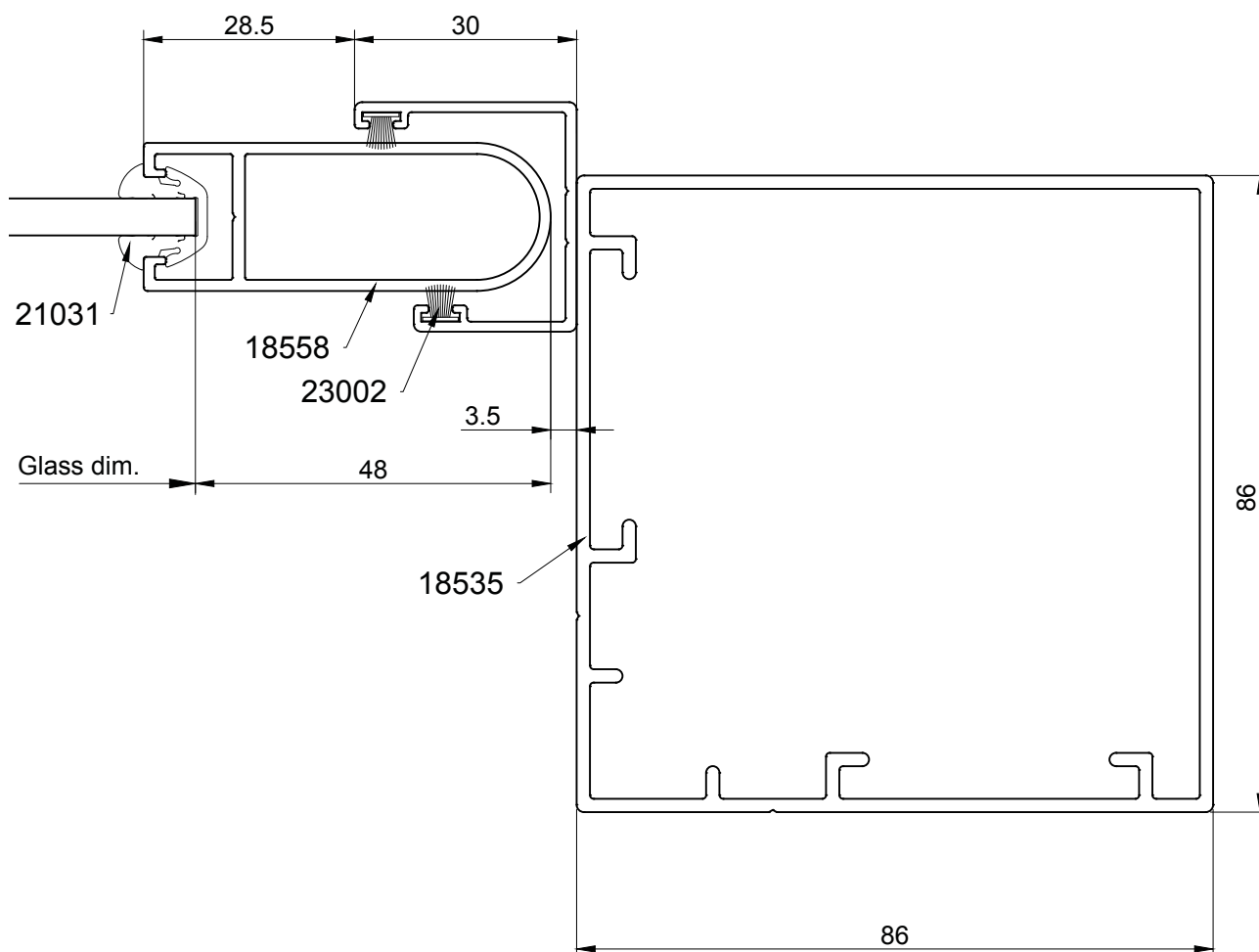
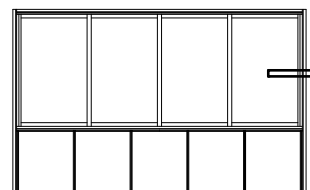
Scale 1:1



Windoer 450
Horizontal section wall-86, framed panel

WD450_H103

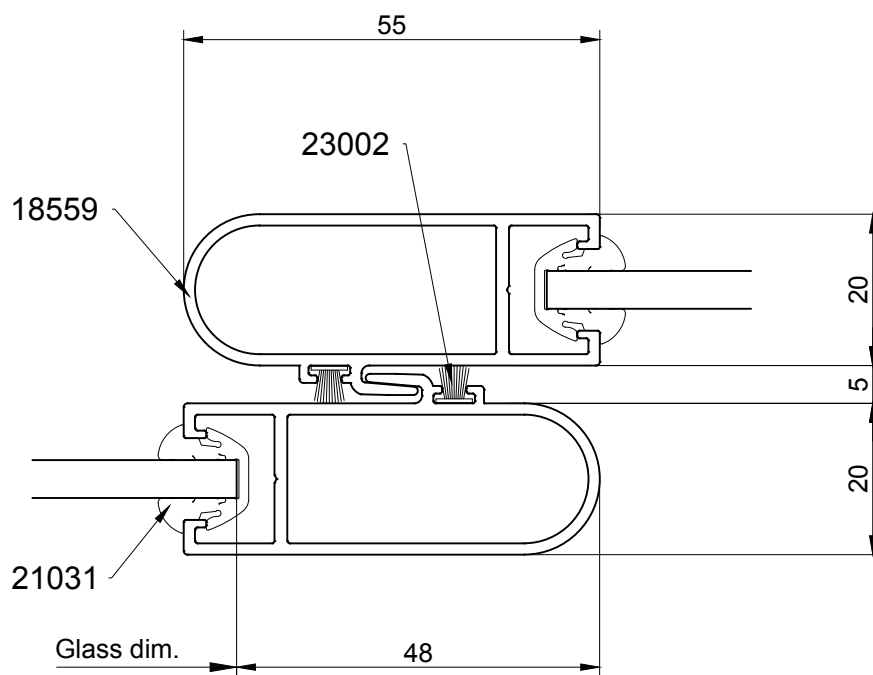
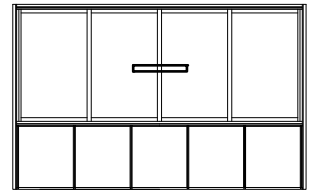
Scale 1:1



Windoer 450
Horizontal section, framed panel

WD450_H104

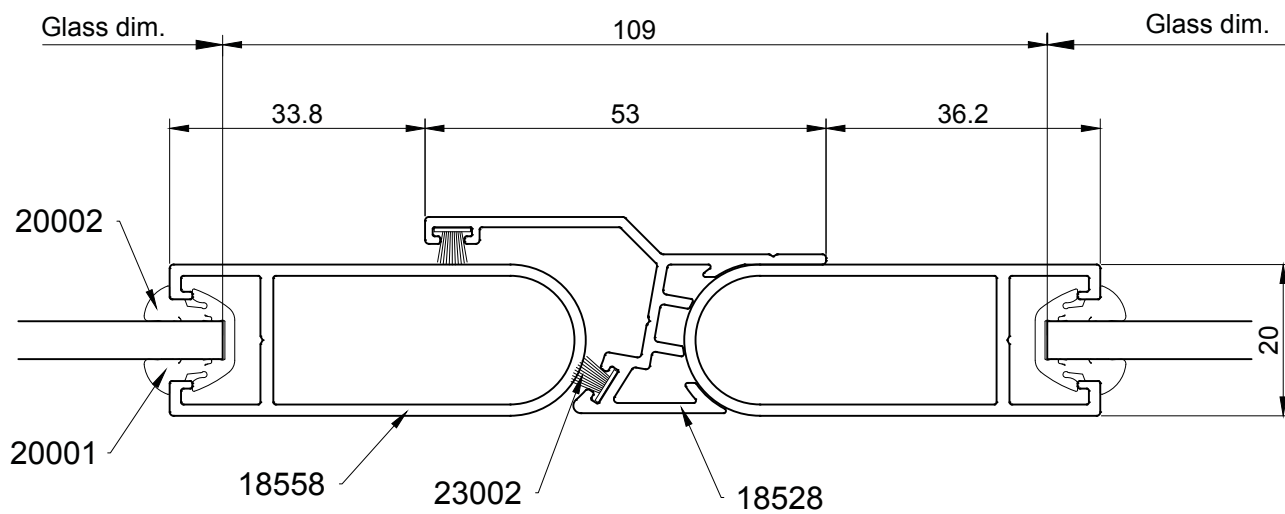
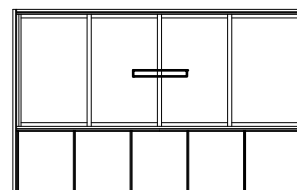
Scale 1:1



Windoer 450
Horizontal section, meeting panel framed

WD450_H105

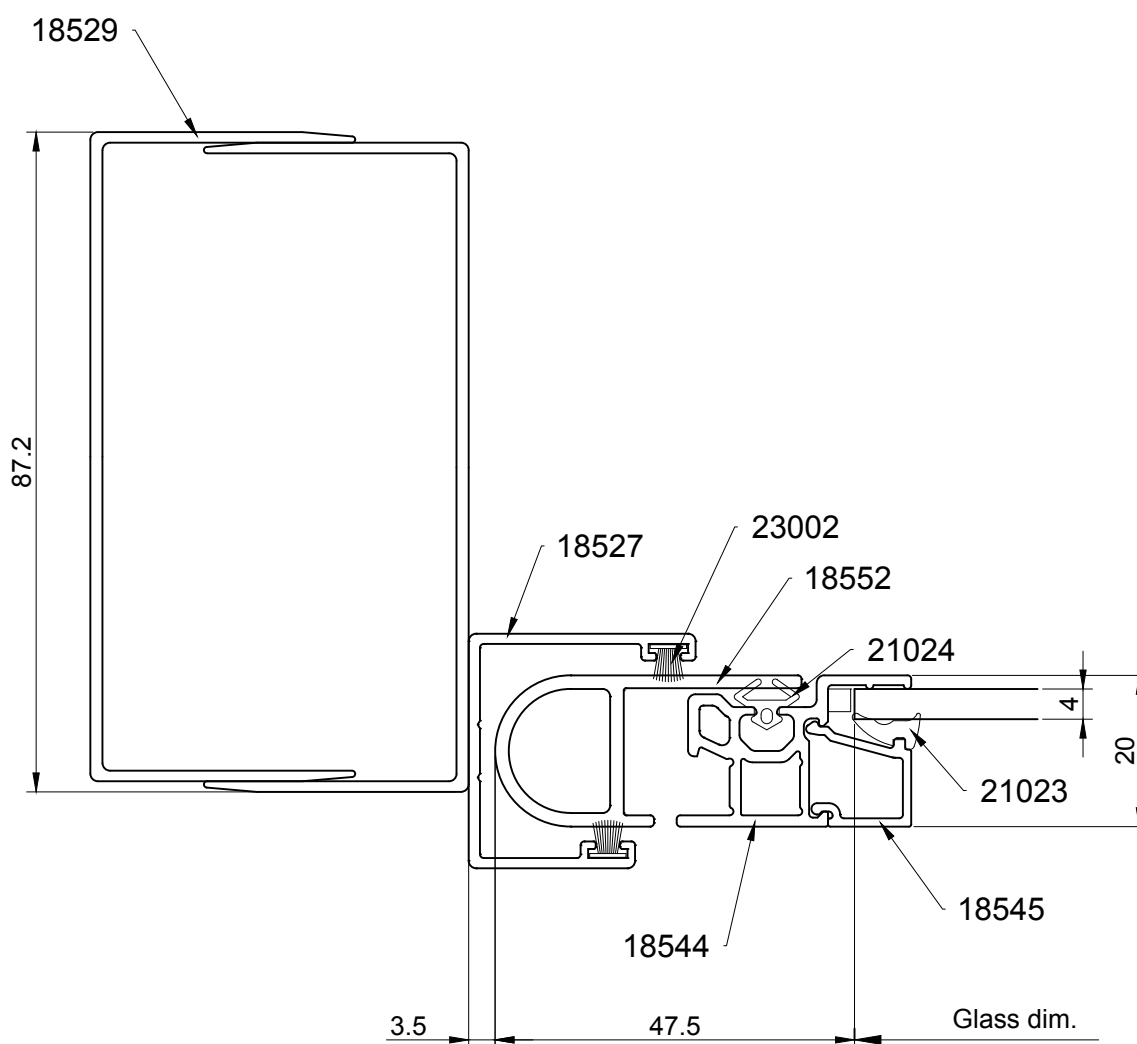
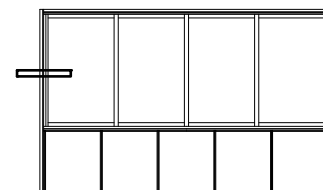
Scale 1:1



Windoor 450
Horizontal section wall-U, openable panel

WD450_H106

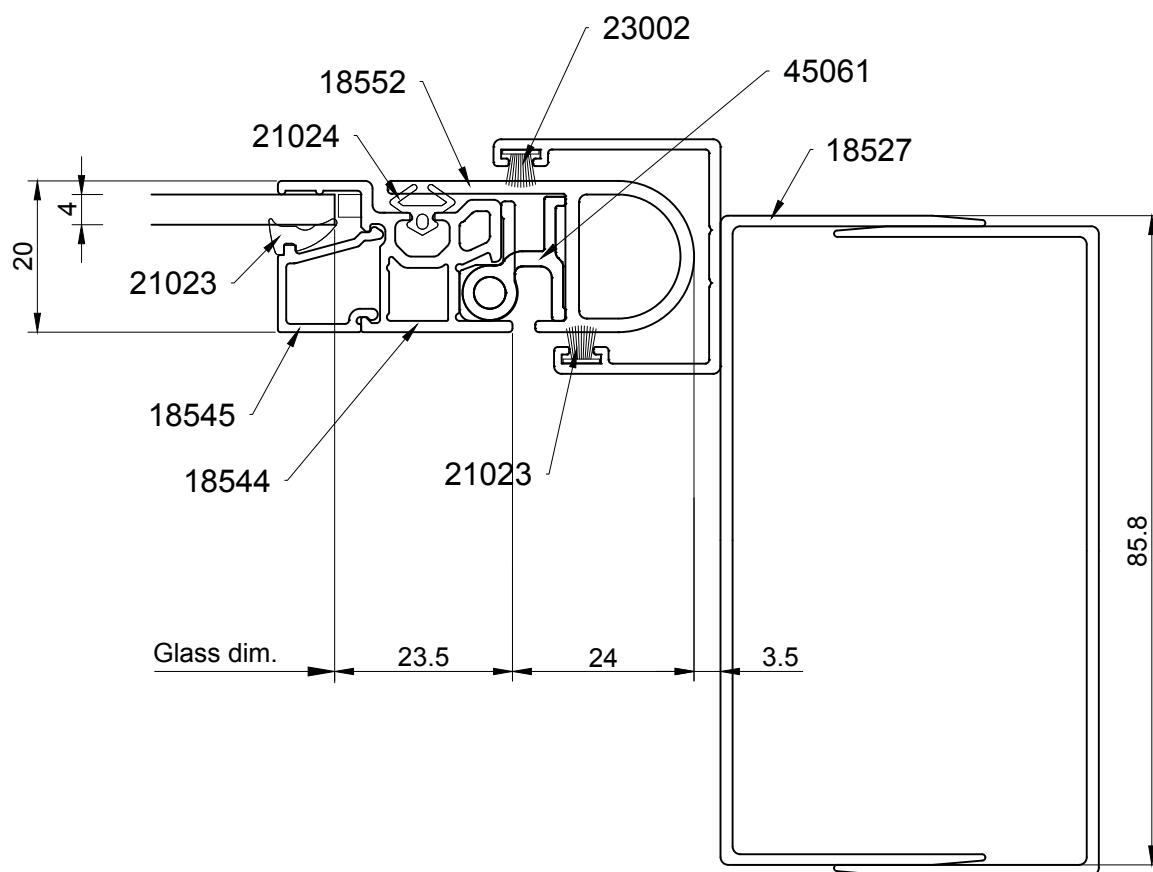
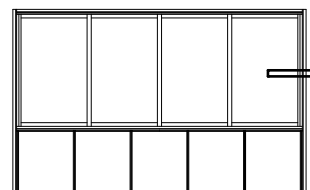
Scale 1:1



Windoor 450
Horizontal section wall-U, openable panel

WD450_H107

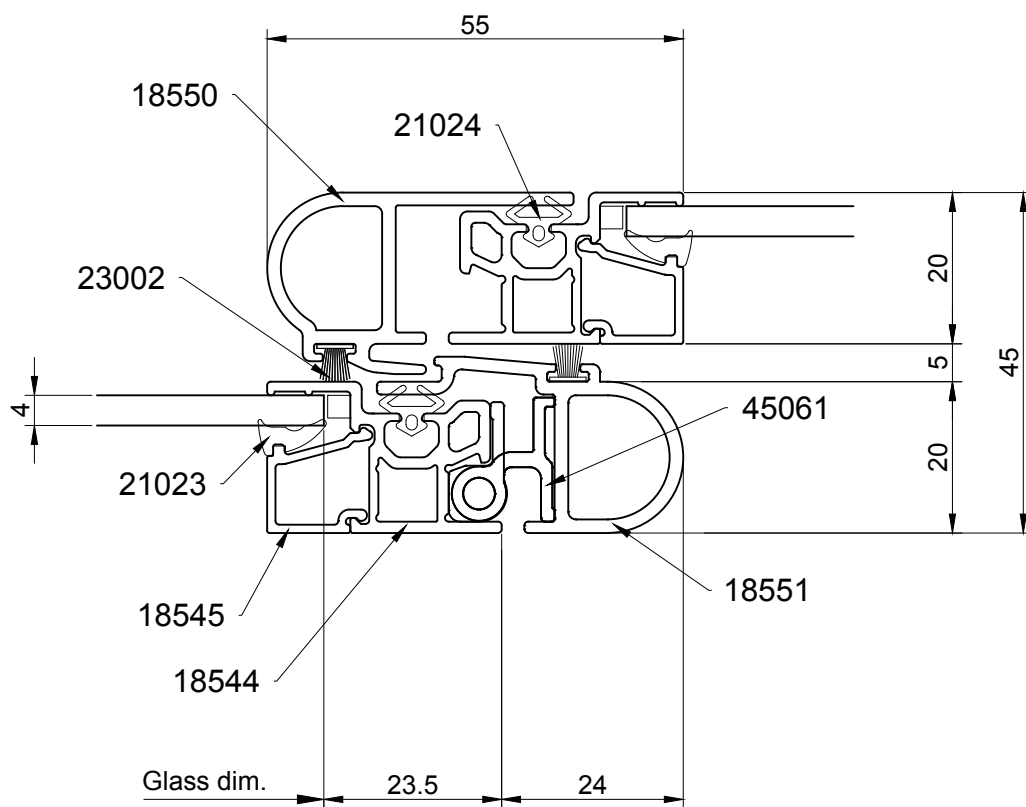
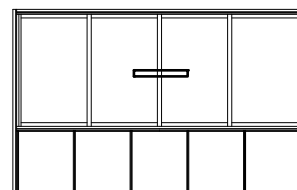
Scale 1:1



Windoor 450
Horizontal section, openable panel

WD450_H108

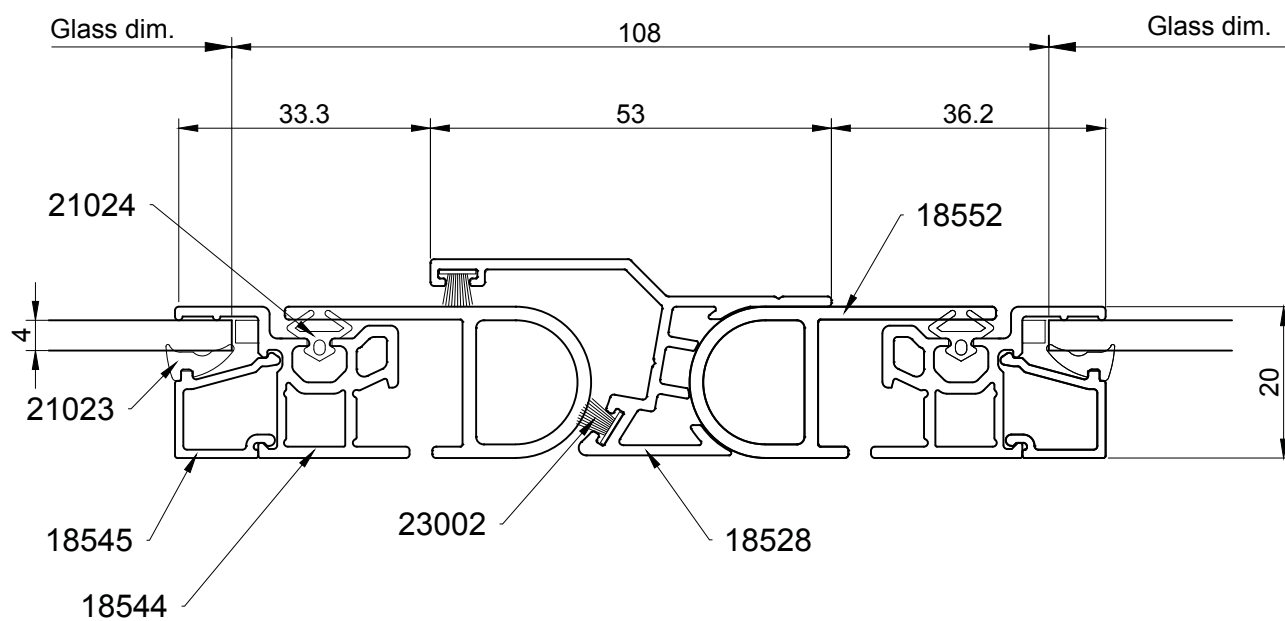
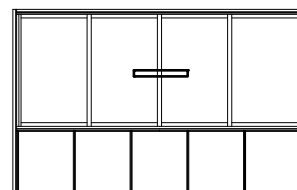
Scale 1:1



Windoor 450
Horizontal section, meeting panel openable

WD450_H109

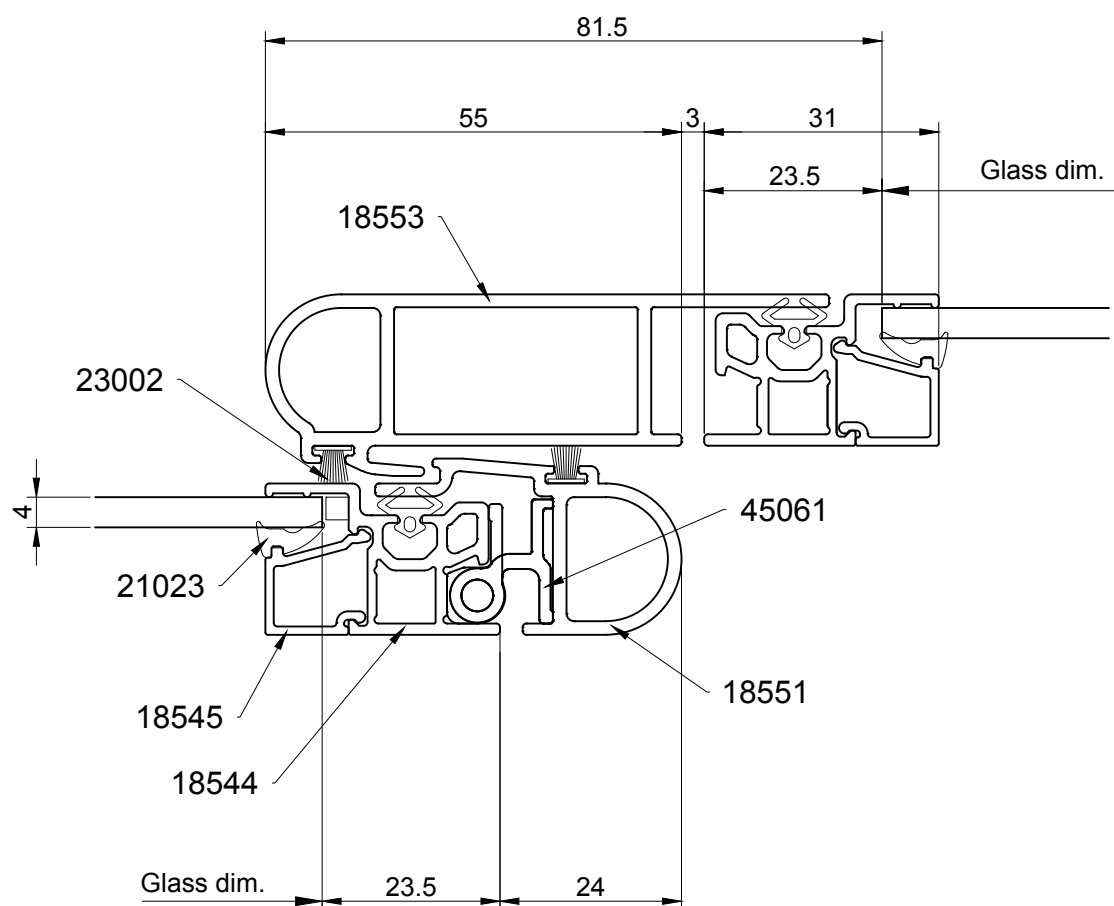
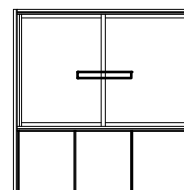
Scale 1:1



Windoer 450
Horizontal section wall-U, openable panel, only 2 panel

WD450_H110

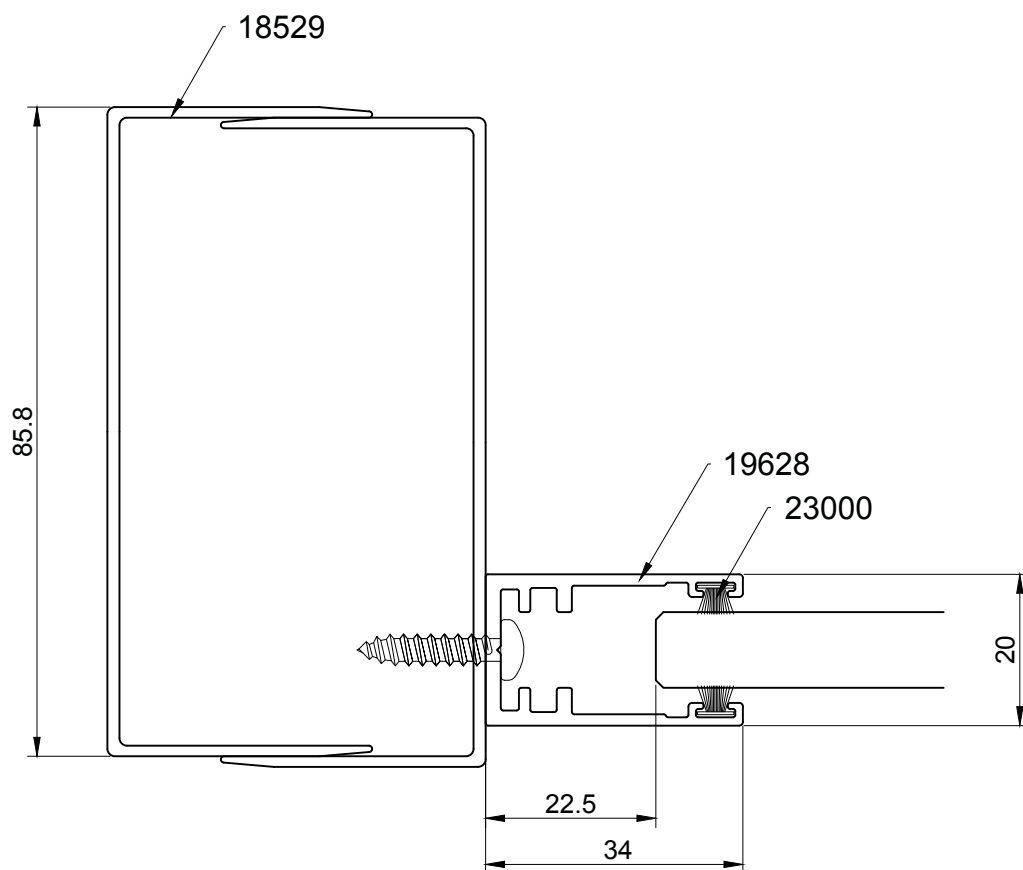
Scale 1:1



Windoor 450 Lux
Horizontal section wall-U, full glass panel

WD450_H111

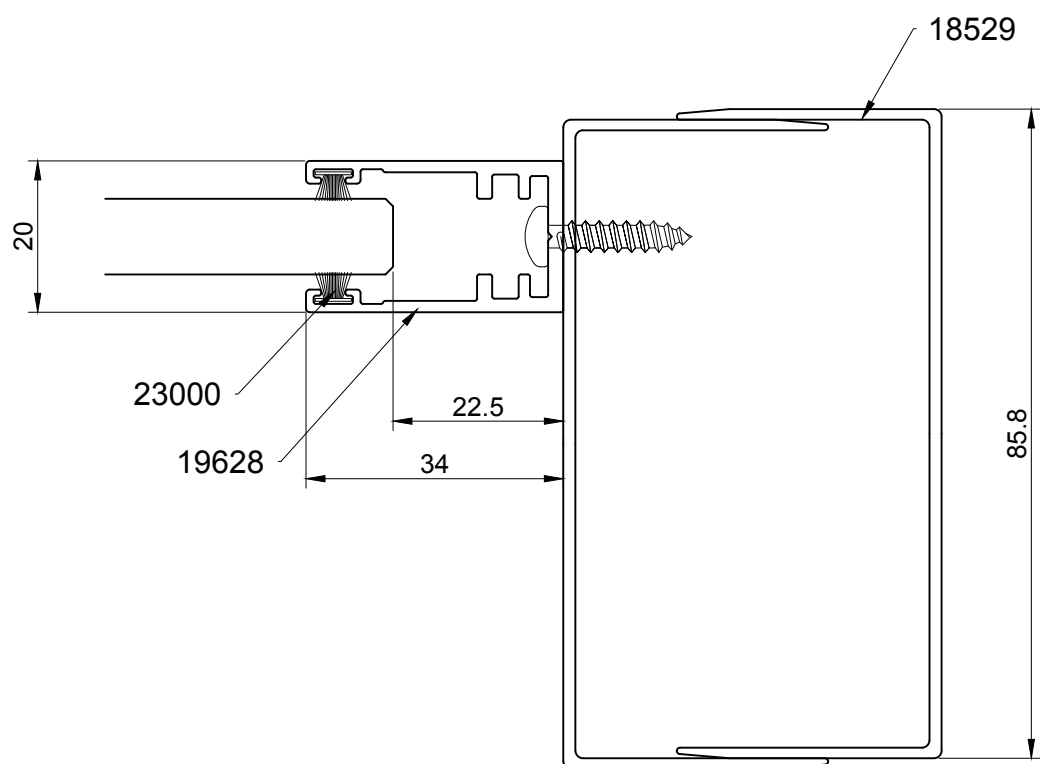
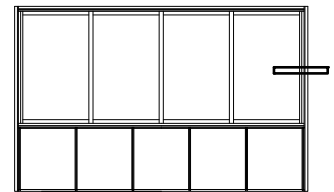
Scale 1:1



Windoor 450 Lux
Horizontal section wall-U, full glass panel

WD450_H112

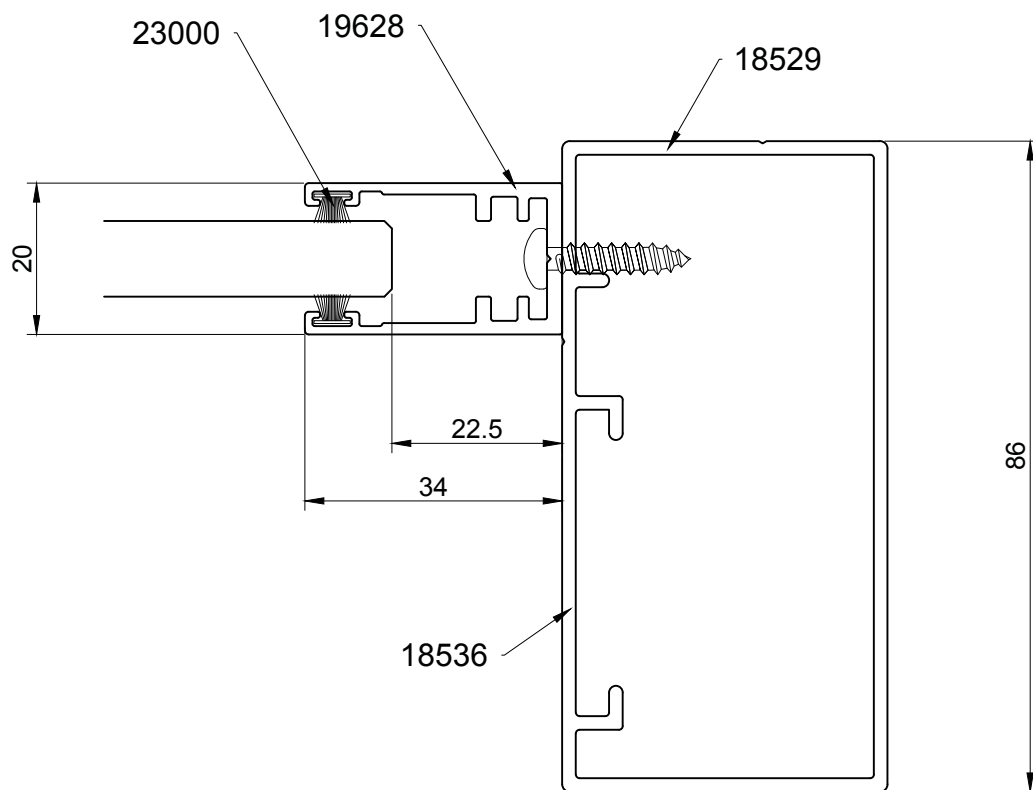
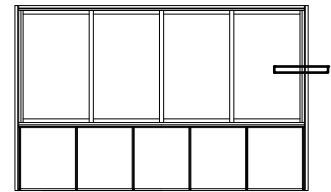
Scale 1:1



Windoer 450 Lux
Horizontal section wall-43, full glass panel

WD450_H113

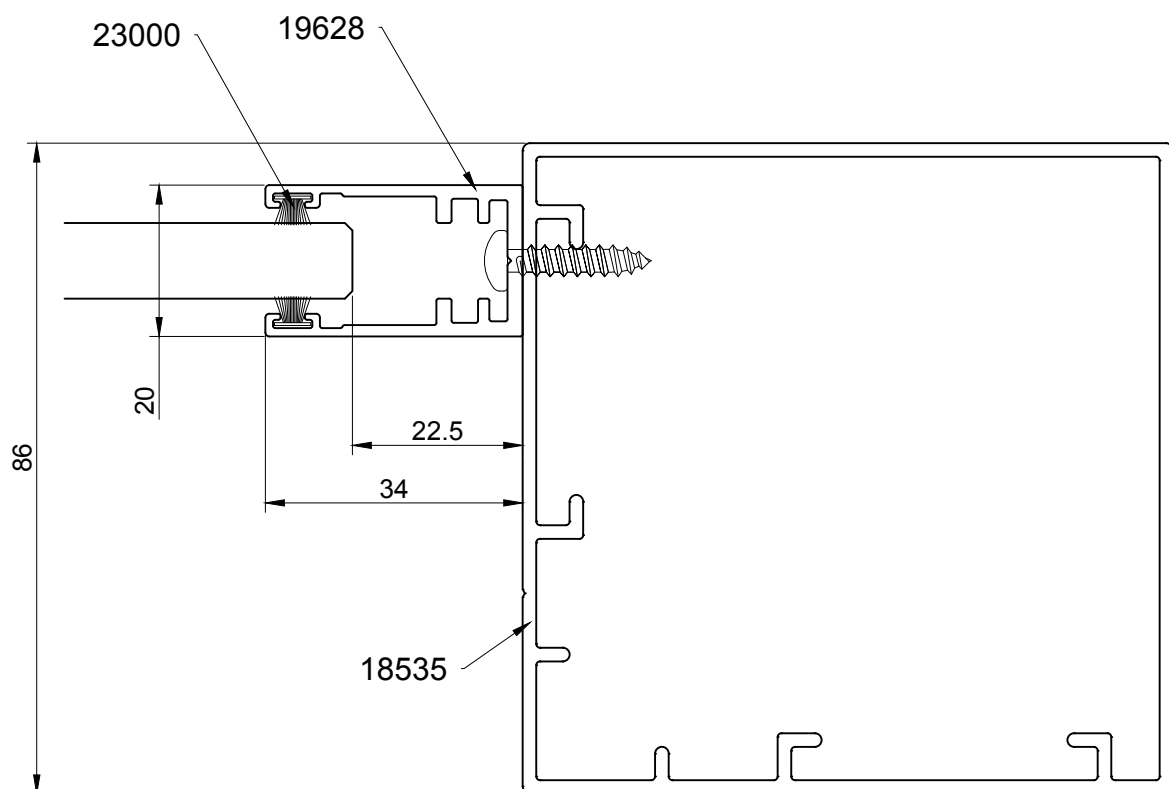
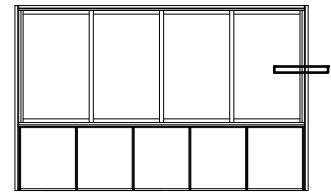
Scale 1:1



Windoor 450 Lux
Horizontal section wall-86, full glass panel

WD450_H114

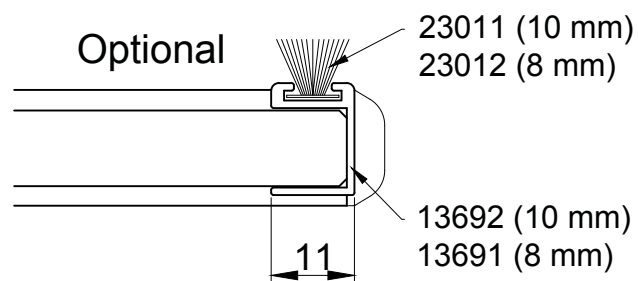
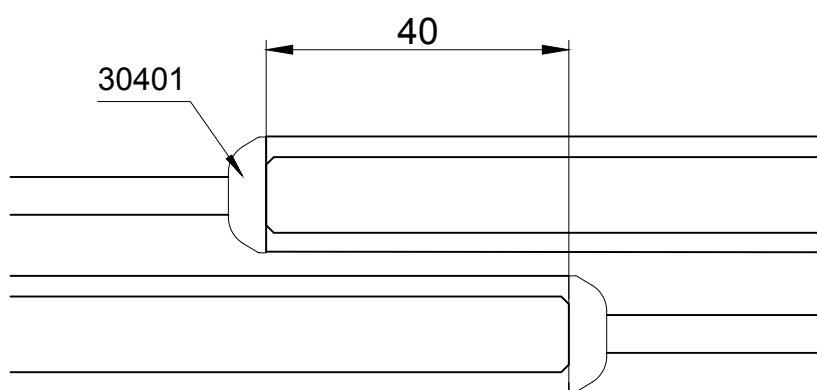
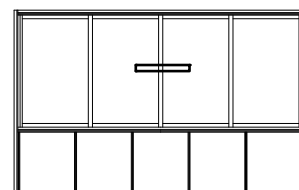
Scale 1:1



Windoor 450 Lux
Horizontal section, full glass panel

WD450_H115

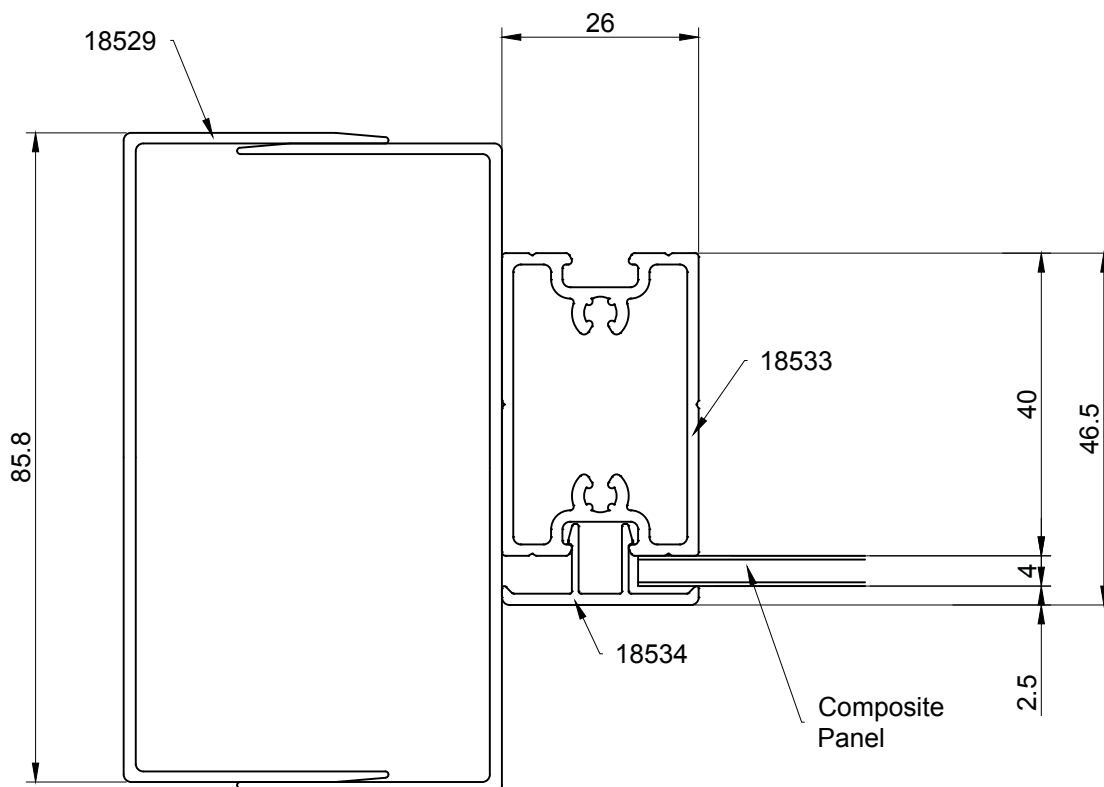
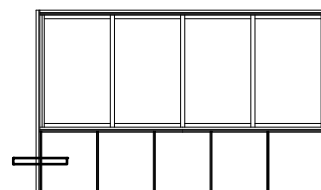
Scale 1:1



Windoer 450 Parapet Horizontal section wall-U / parapet

WD450_H116

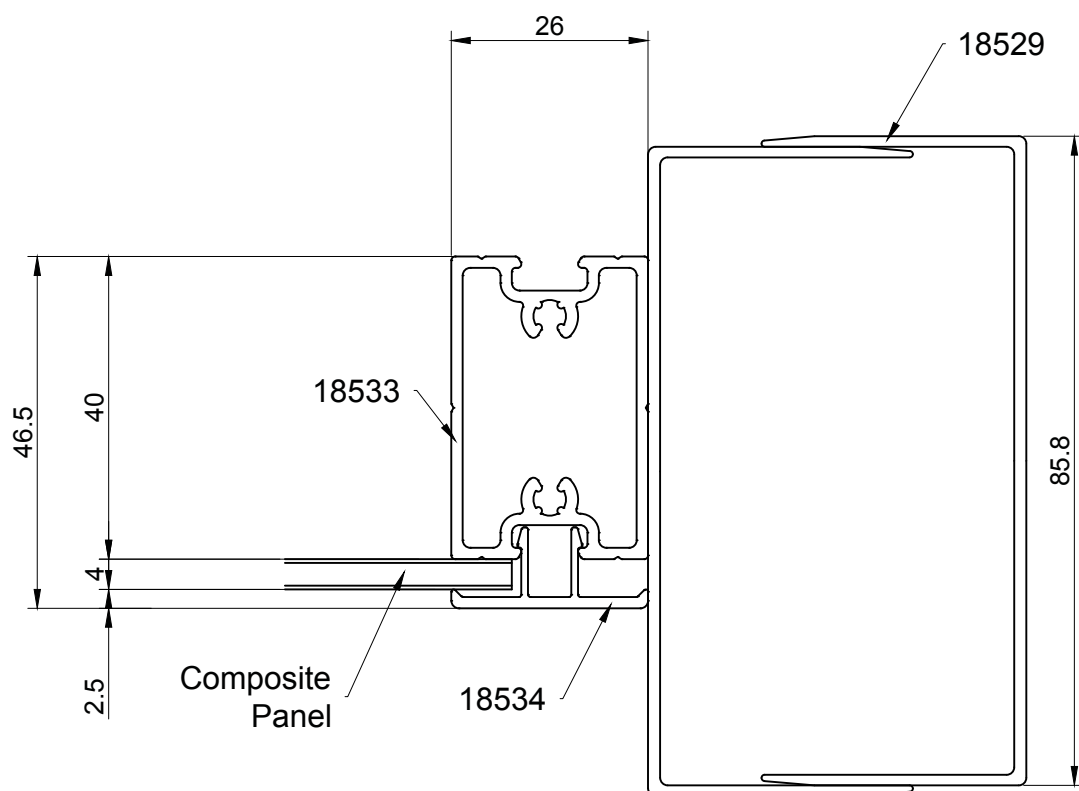
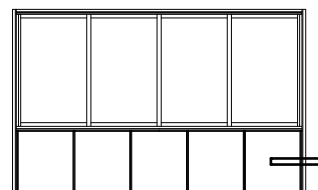
Scale 1:1



Windoor 450 Parapet:
Horizontal section wall-U / parapet

WD450_H117

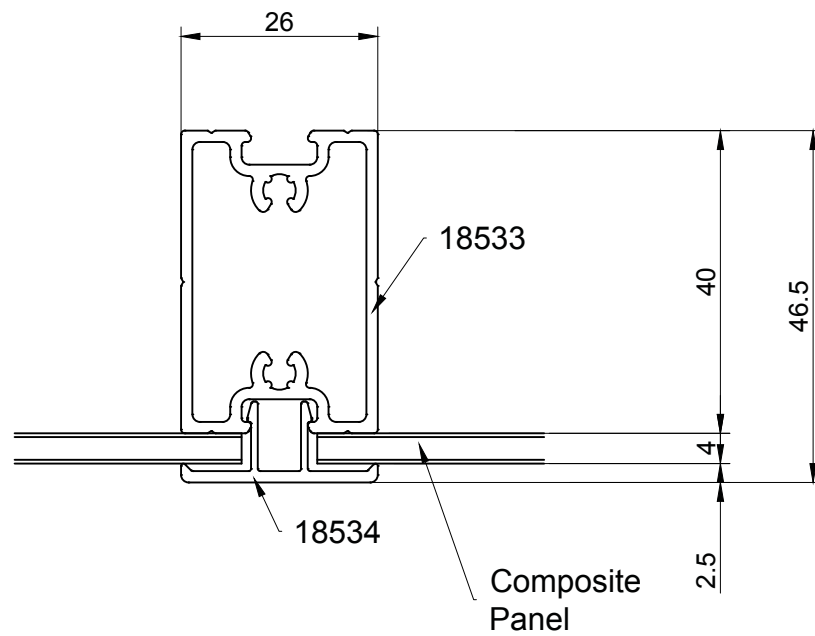
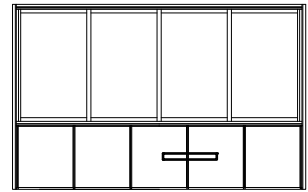
Scale 1:1



Windoer 450 Parapet
Horizontal section mullion parapet

WD450_H118

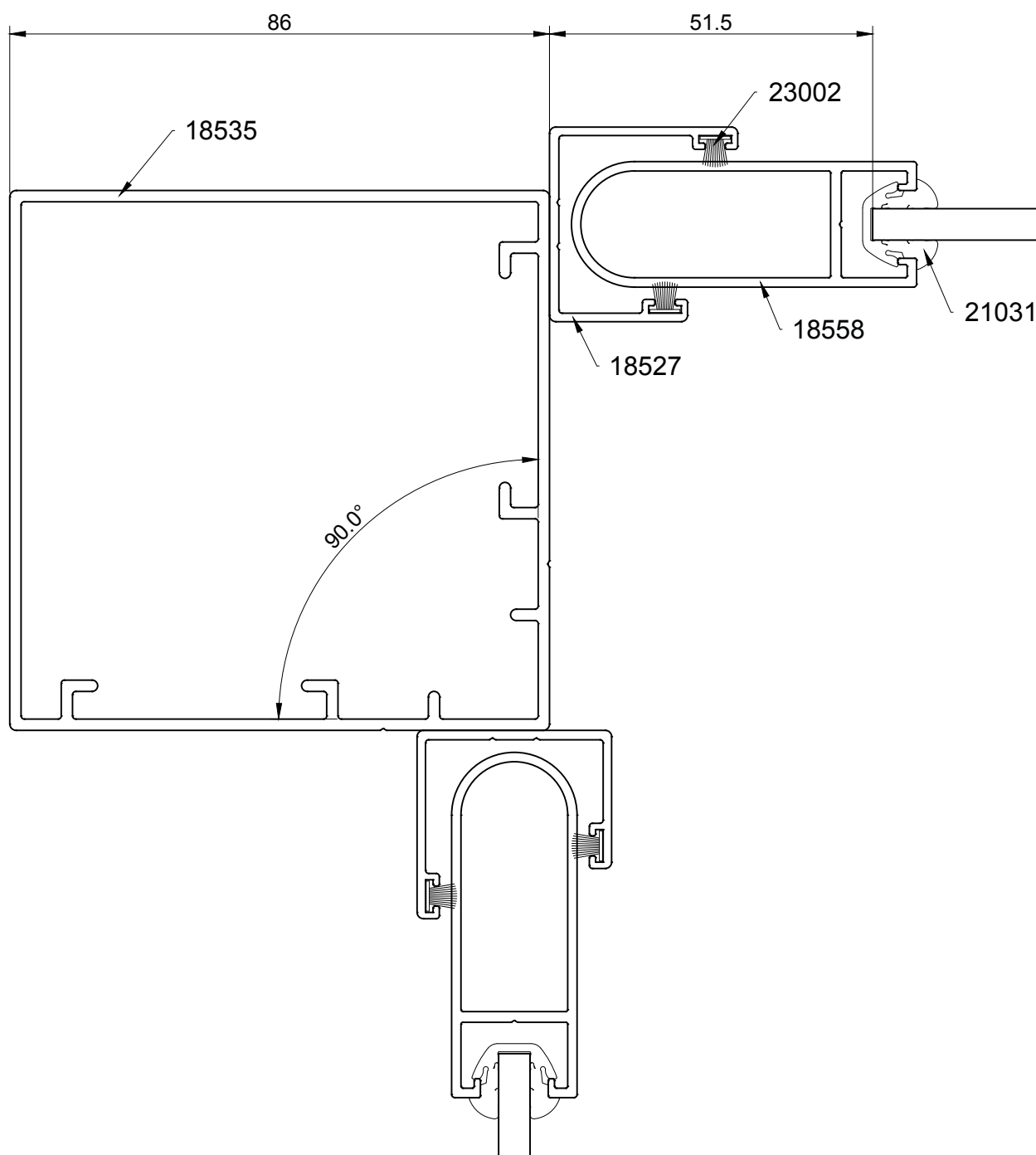
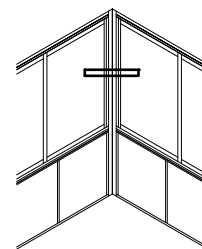
Scale 1:1



Windoor 450
Horizontal section, 90° corner

WD450_C100

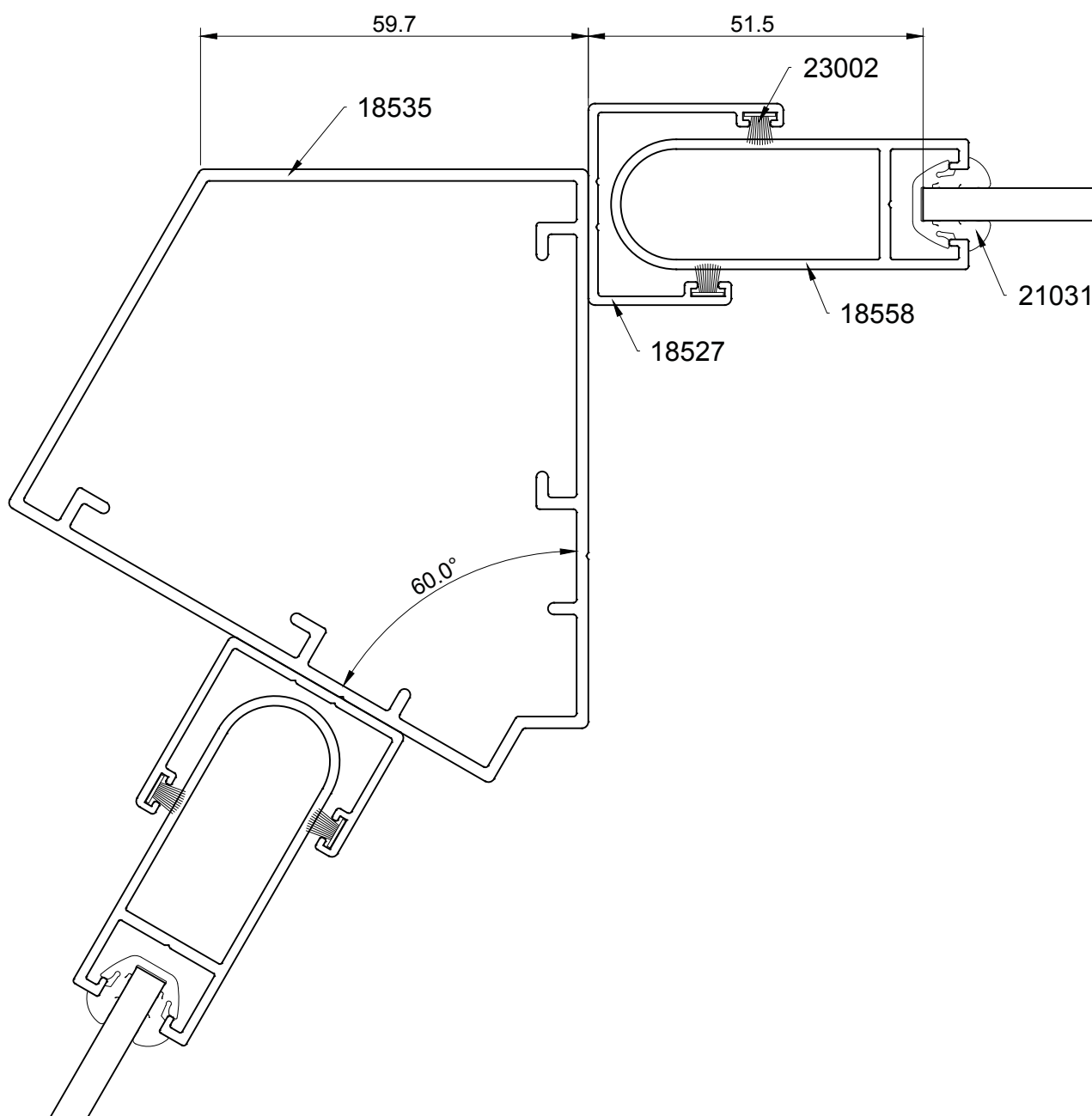
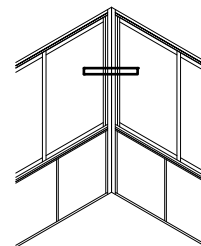
Scale 1:1



Windoer 450
Horizontal section, 60° corner

WD450_C101

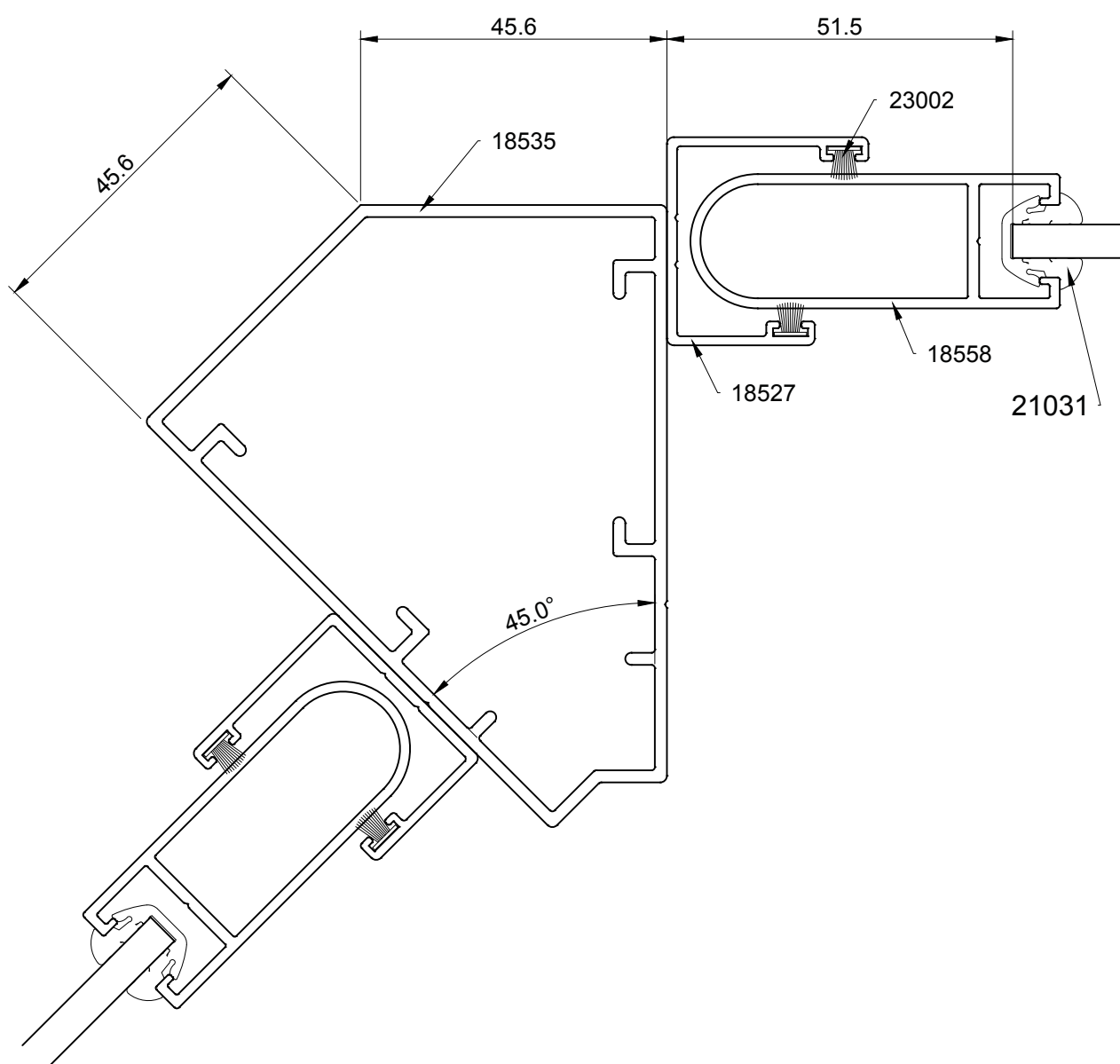
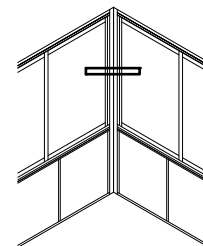
Scale 1:1



Windoer 450
Horizontal section, 45° corner

WD450_C102

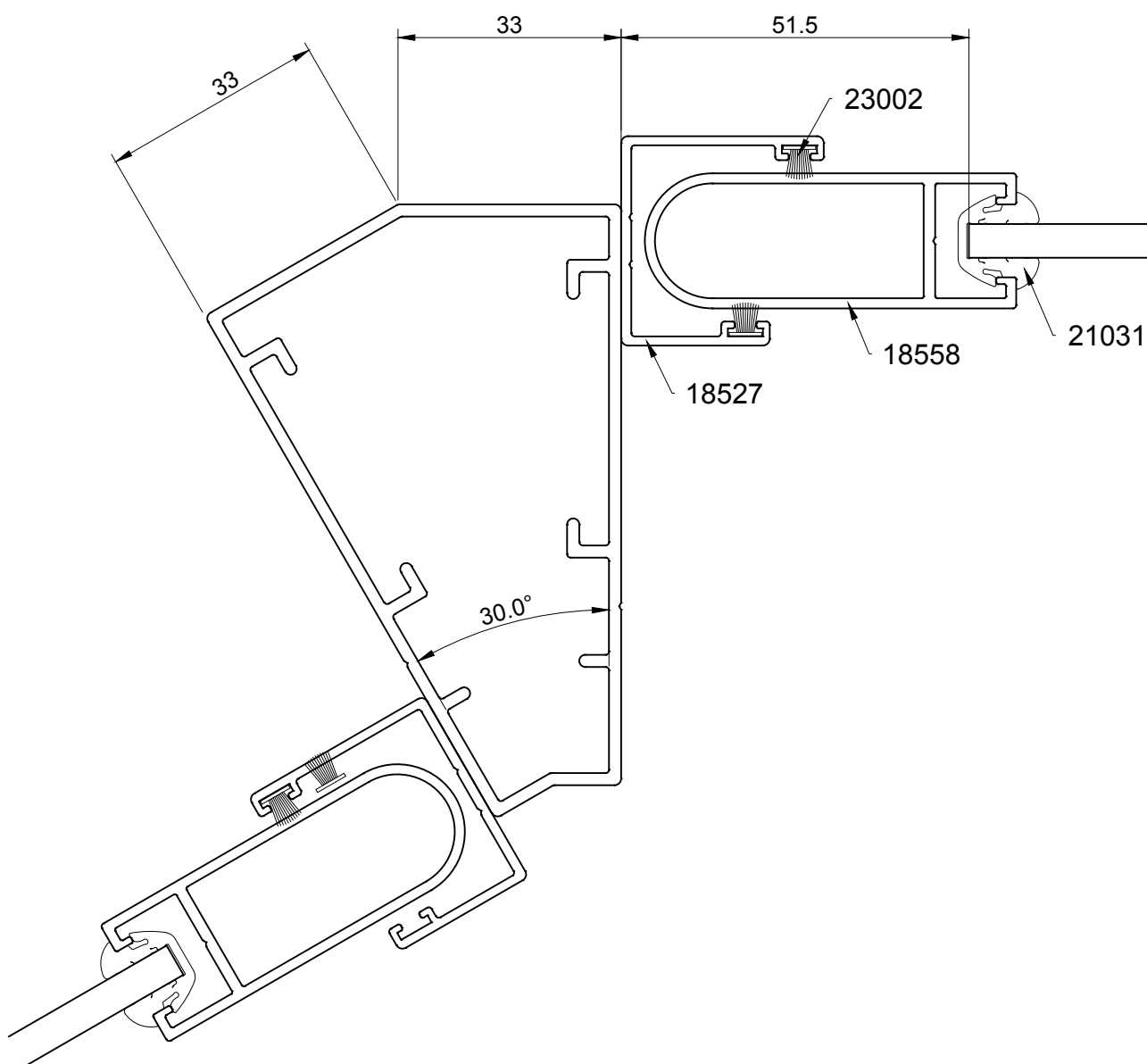
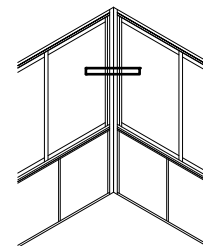
Scale 1:1



Windoer 450
Horizontal section, 30° corner

WD450_C103

Scale 1:1



Your Sunparadise Specialist Partner

Take advantage of the wide range of Sunparadise products and our proven expert consultations.

sunparadise.com