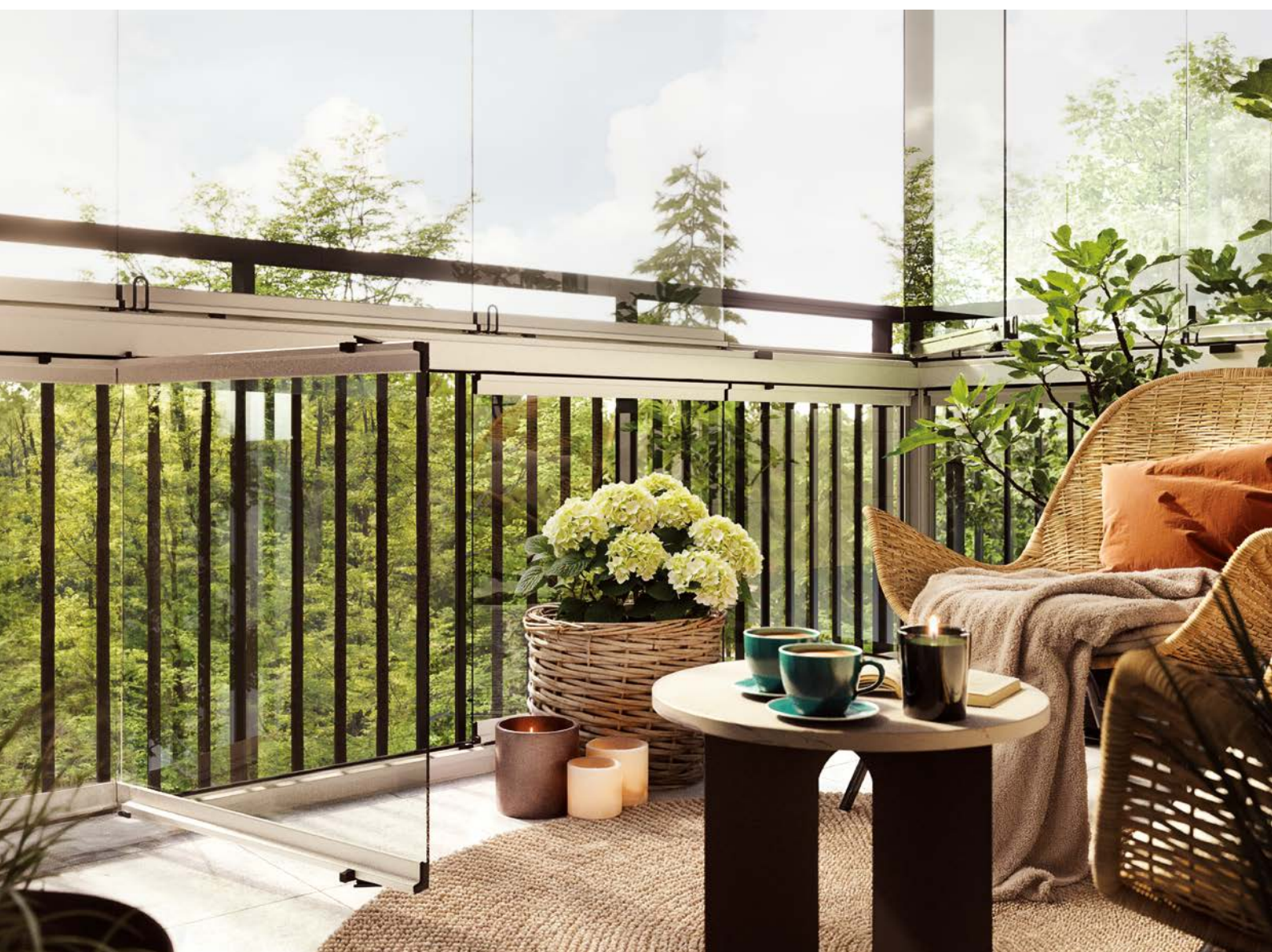


Tekniska ritningar

sunparadise

VIKBAR INGLASNING MED ELLER UTAN RAMAR

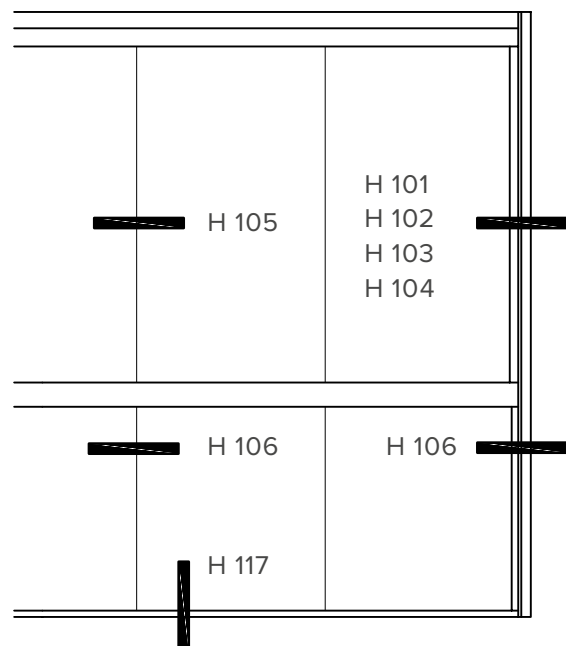
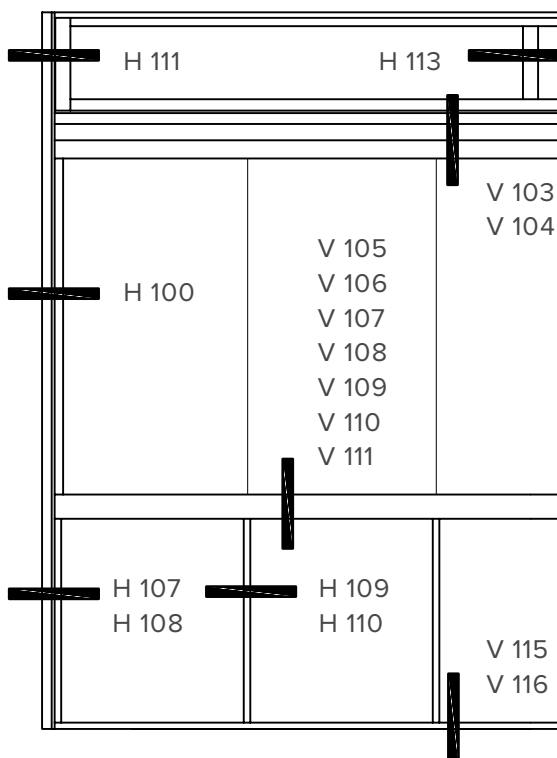
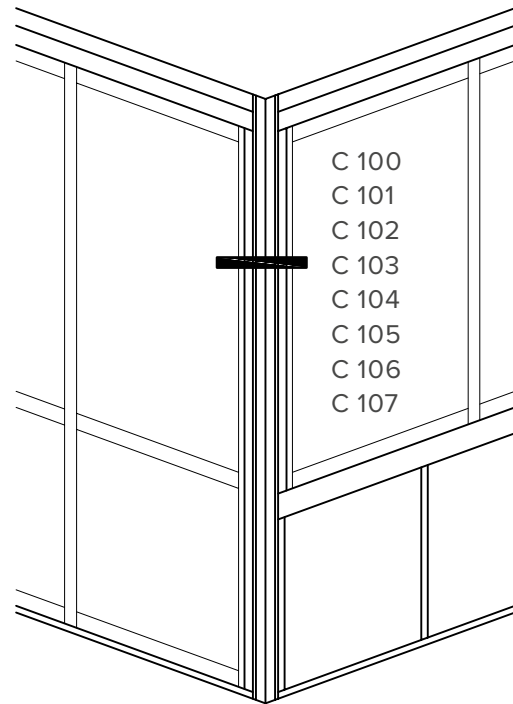
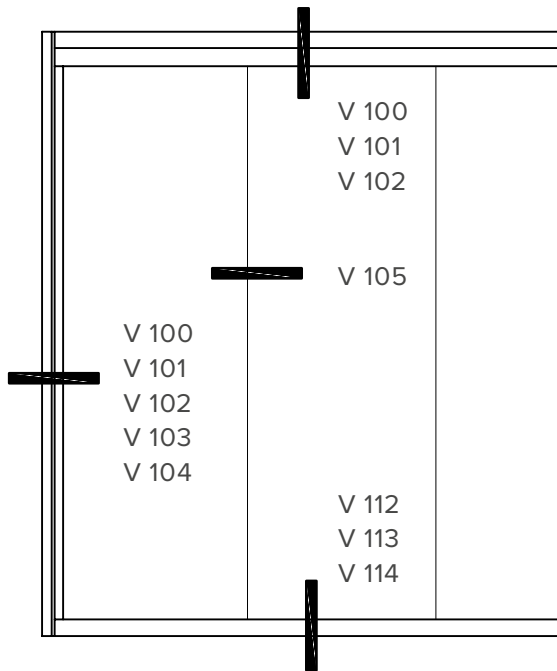
WINDOOR 410 – FLEXIBELT VIKSYSTEM



Section overview	4	Windoor 410	
Windoor 410 light – panel diagram	5	Vertical section bottom guide, OIC	18
WD410_102		WD410_V110	
Windoor 410 silhouette – panel diagram	6	Windoor 410	
WD410_103		Vertical section bottom guide, WLP	19
		WD410_V111	
Windoor 410 silhouette door – panel diagram	7	Windoor 410	
WD410_104		Vertical section bottom guide, OPT	20
		WD410_V112	
Windoor 410		Windoor 410	
Vertical section top rail rail, TU	8	Vertical section bottom guide, OFB	21
WD410_V100		WD410_V113	
Windoor 410		Windoor 410	
Vertical section top rail rail, 43 x 86 beam, T43	9	Vertical section bottom guide, OIC-L	22
WD410_V101		WD410_V114	
Windoor 410		Windoor 410	
Vertical section top rail rail, 86 x 86 beam, T86	10	Vertical section bottom guide, UC-U	23
WD410_V102		WD410_V115	
Windoor 410		Windoor 410:	
Top rail in vertical section, top light, TG43	11	Vertical section bottom, UC-C and WL-C	24
WD410_V103		WD410_V116	
Windoor 410		Windoor 410	
Top rail in vertical section, top light, TG86	12	Vertical section bottom, UCP AND WLP	25
WD410_V104		WD410_V117	
Windoor 410		Windoor 410	
Vertical section bottom guide, UC	13	Horizontal section wall-U, slide-stack	26
WD410_V105		WD410_H100	
Windoor 410		Windoor 410	
Vertical section bottom guide, UC-C	14	Horizontal section wall-U, slide-stack	27
WD410_V106		WD410_H101	
Windoor 410		Windoor 410	
Vertical section bottom guide, UC	15	Horizontal section wall W43, slide-stack	28
WD410_V107		WD410_H102	
Windoor 410		Windoor 410	
Vertical section bottom guide, UC-Split	16	Horizontal section wall W86, slide-stack	29
WD410_V108		WD410_H103	
Windoor 410			
Vertical section bottom guide, WL	17		
WD410_V109			

Windoer 410			
Horizontal section wall W57, slide-stack	30	Windoer 410	
WD410_H104		Horizontal section, 30° corner	42
		WD410_C103	
Windoer 410		Windoer 410	
Horizontal section, panel meeting	31	Horizontal section, glass corner	43
WD410_H105		WD410_C104	
Windoer 410		Windoer 410	
Horizontal section, parapet split panel	32	Horizontal section, corner profile CV / light panel	44
WD410_H106		WD410_C105	
Windoer 410		Windoer 410	
Horizontal section, wall parapet	33	Horizontal section, corner profile CV / silhouette panel	45
WD410_H107		WD410_C106	
Windoer 410			
Horizontal section, wall parapet	34		
WD410_H108			
Windoer 410			
Horizontal section, parapet mullion	35		
WD410_H109			
Windoer 410			
Horizontal section, parapet mullion / O-panel	36		
WD410_H110			
Windoer 410			
Horizontal section wall / top light	37		
WD410_H111			
Windoer 410			
Horizontal section, top light mullion	38		
WD410_H112			
Windoer 410			
Horizontal section, 90° corner	39		
WD410_C100			
Windoer 410			
Horizontal section, 60° corner	40		
WD410_C101			
Windoer 410			
Horizontal section, 45° corner	41		
WD410_C102			

Section overview

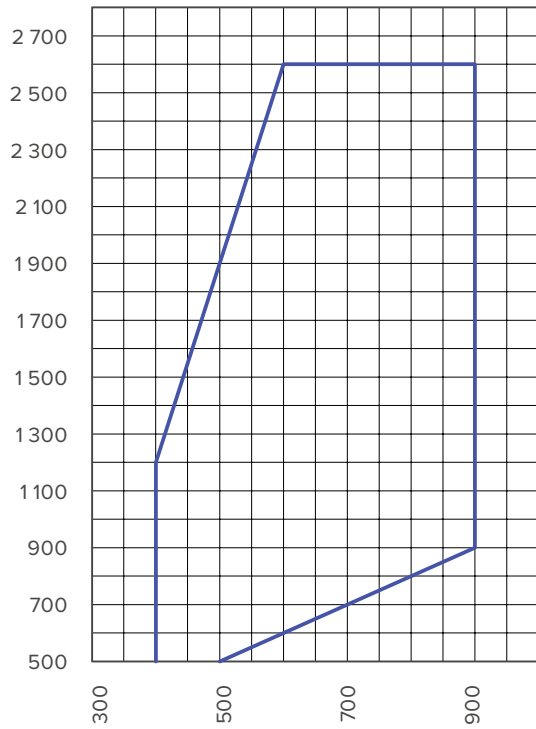


Windoer 410 – panel diagram

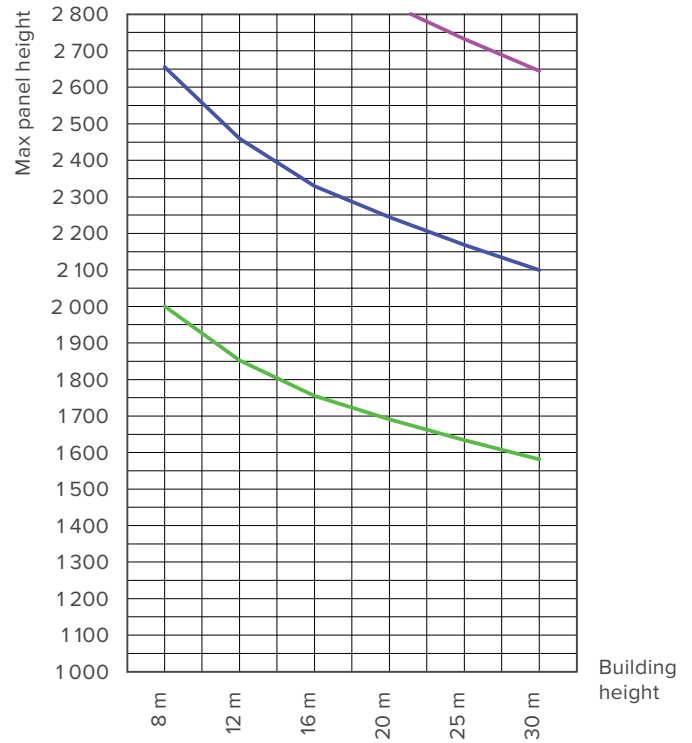
WD410_

The panel diagrams are based on wind loads and terrain classes for Sweden and can only be seen as a guide for maximum panel size and are without any warranty for Sunparadise

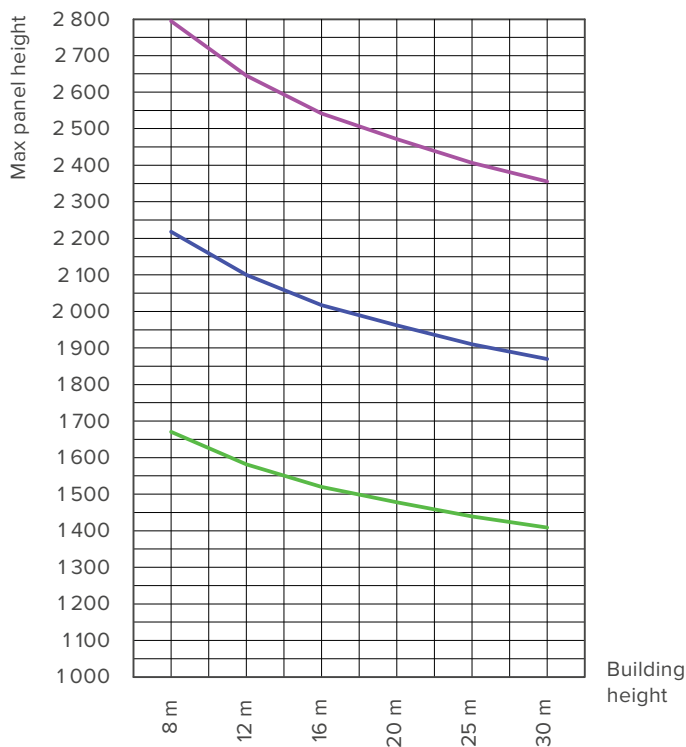
Windoer 410 – light panel size



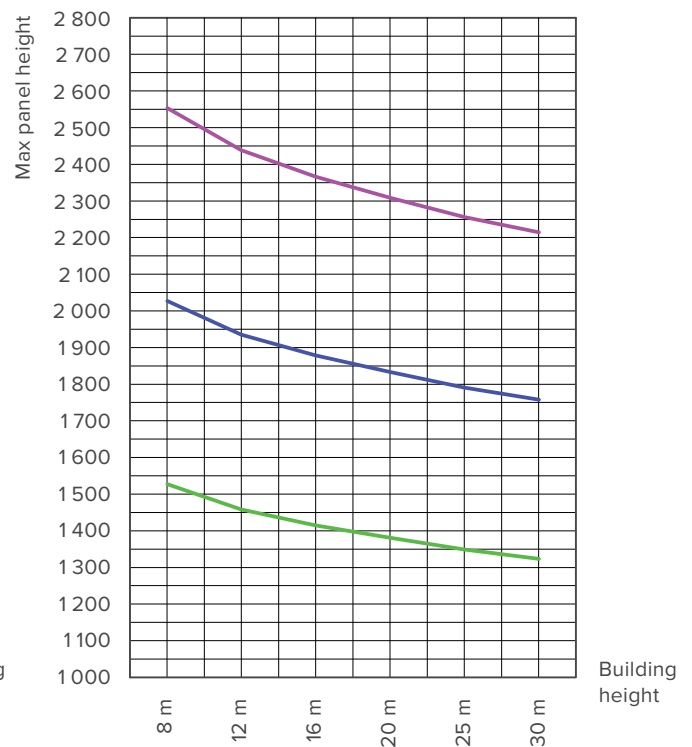
Windoer 410 – light panel
Vref = 26 m/s, TT3



Windoer 410 – light panel
Vref = 26 m/s, TT2



Windoer 410 – light panel
Vref = 26 m/s, TT1



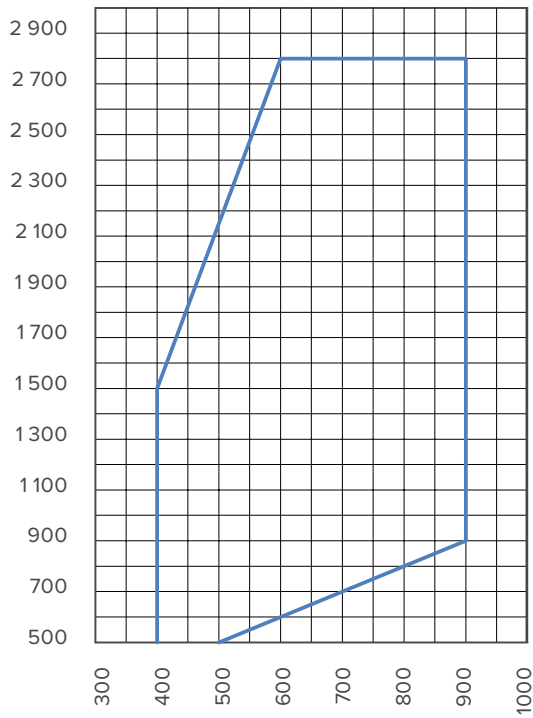
10 mm glass 8 mm glass 6 mm glass

Windoor 410 – panel diagram

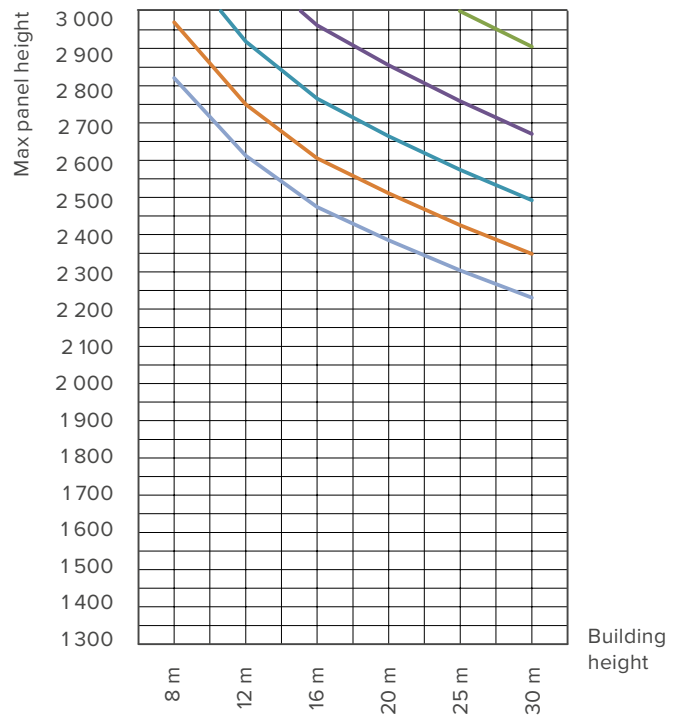
WD410_

The panel diagrams are based on wind loads and terrain classes for Sweden and can only be seen as a guide for maximum panel size and are without any warranty for Sunparadise

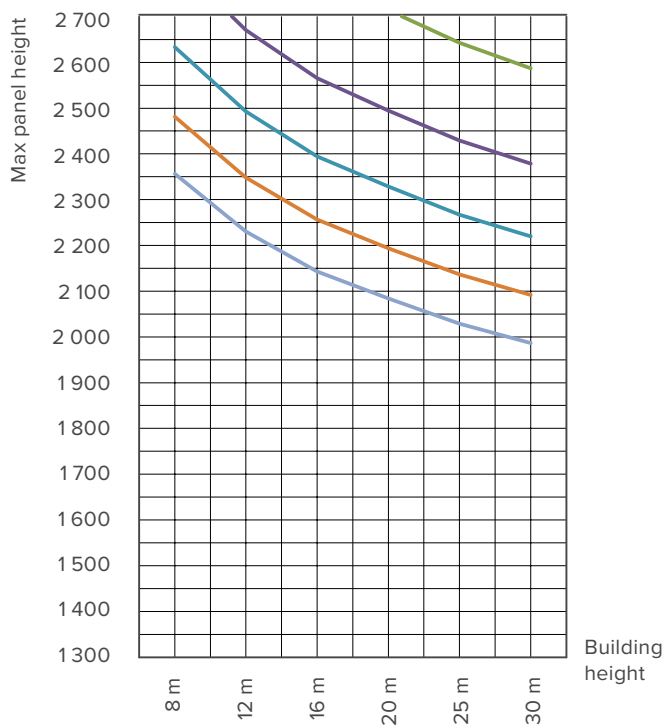
Windoor 410 – silhouette small



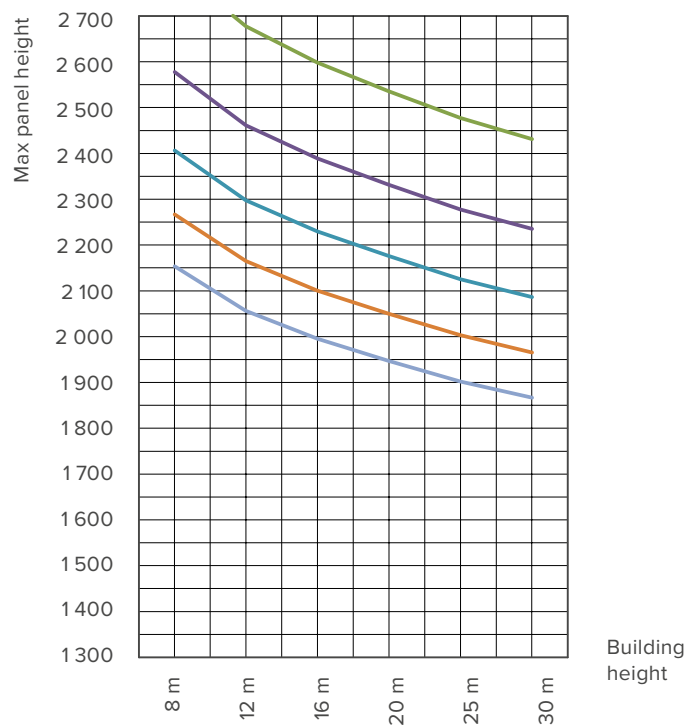
Windoor 410 – silhouette small
Vref = 26 m/s, TT3



Windoor 410 – silhouette small
Vref = 26 m/s, TT2



Windoor 410 – silhouette small
Vref = 26 m/s, TT1



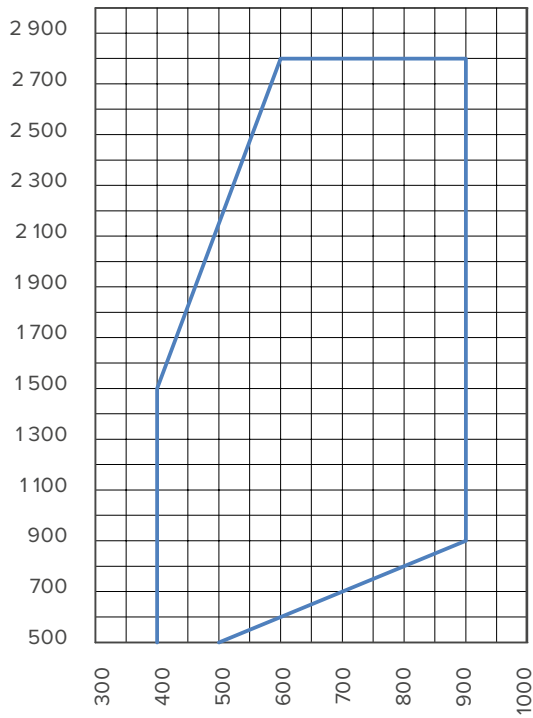
Panel width: 500 mm 600 mm 700 mm 800 mm 900 mm

Windoor 410 – panel diagram

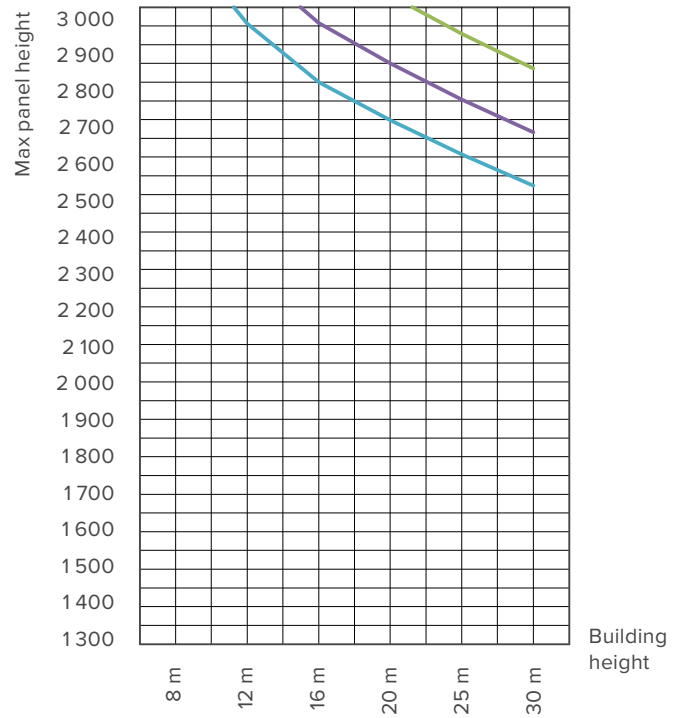
WD410_

The panel diagrams are based on wind loads and terrain classes for Sweden and can only be seen as a guide for maximum panel size and are without any warranty for Sunparadise

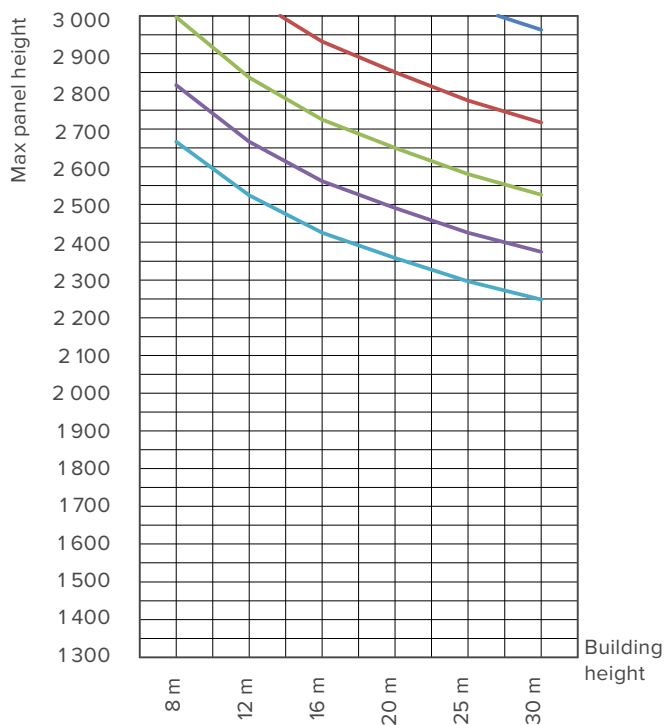
Windoor 410 – silhouette door



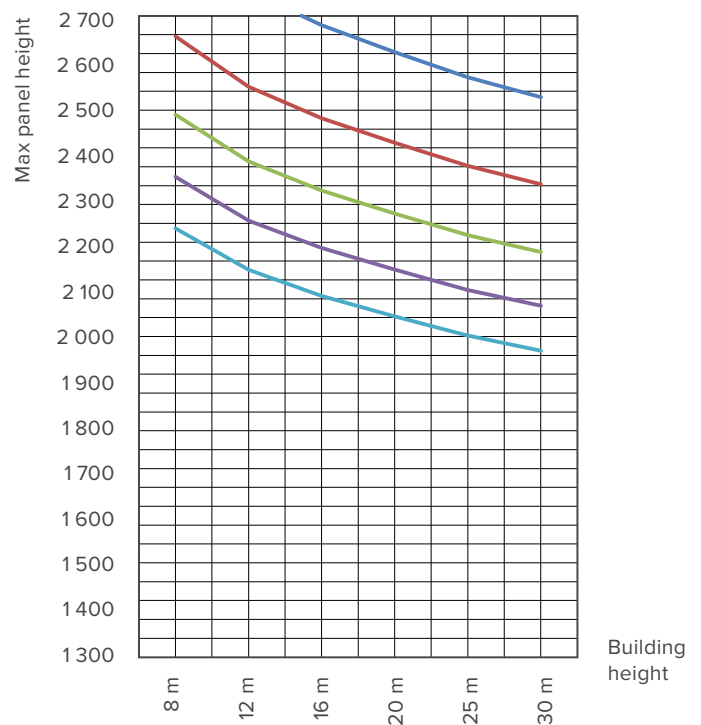
Windoor 410 – silhouette door
Vref = 26 m/s, TT3



Windoor 410 – silhouette door
Vref = 26 m/s, TT2



Windoor 410 – silhouette door
Vref = 26 m/s, TT1

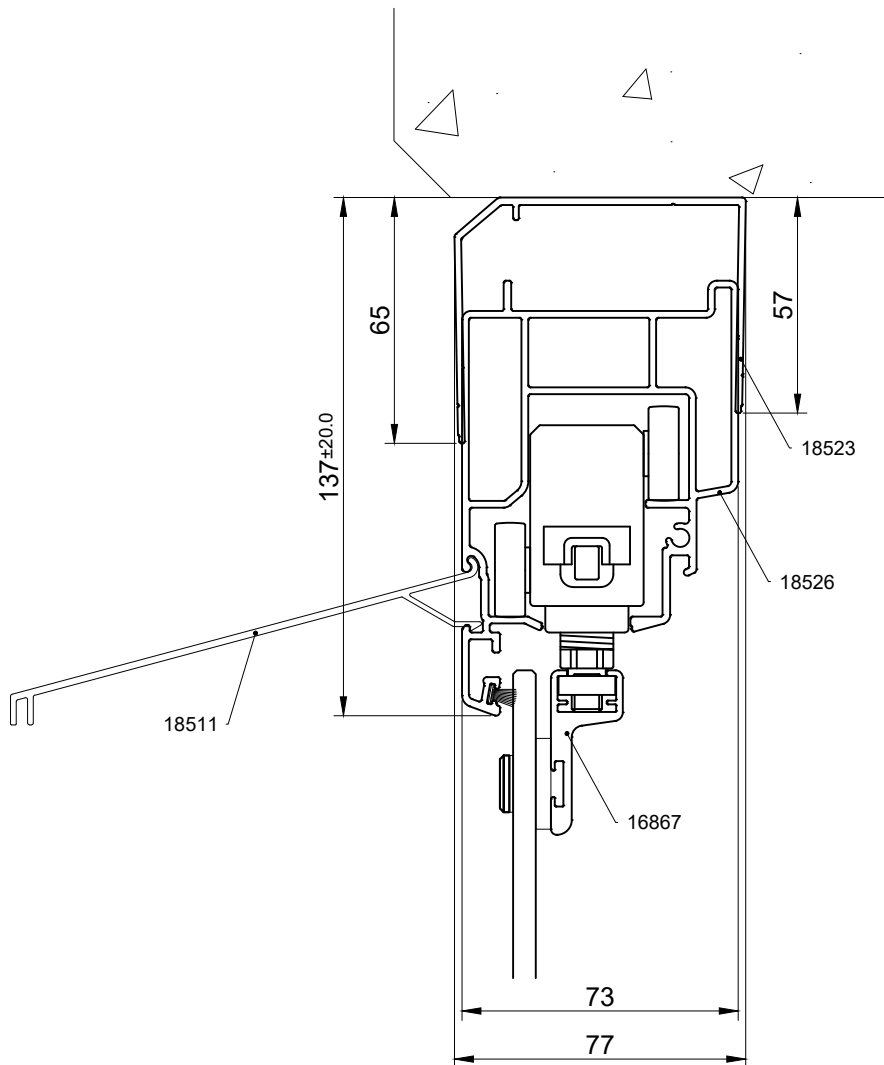
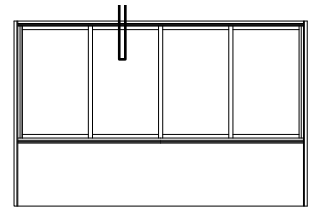


Panel width: 500 mm 600 mm 700 mm 800 mm 900 mm

Windoer 410
Vertical section top rail rail, TU

WD410_V100

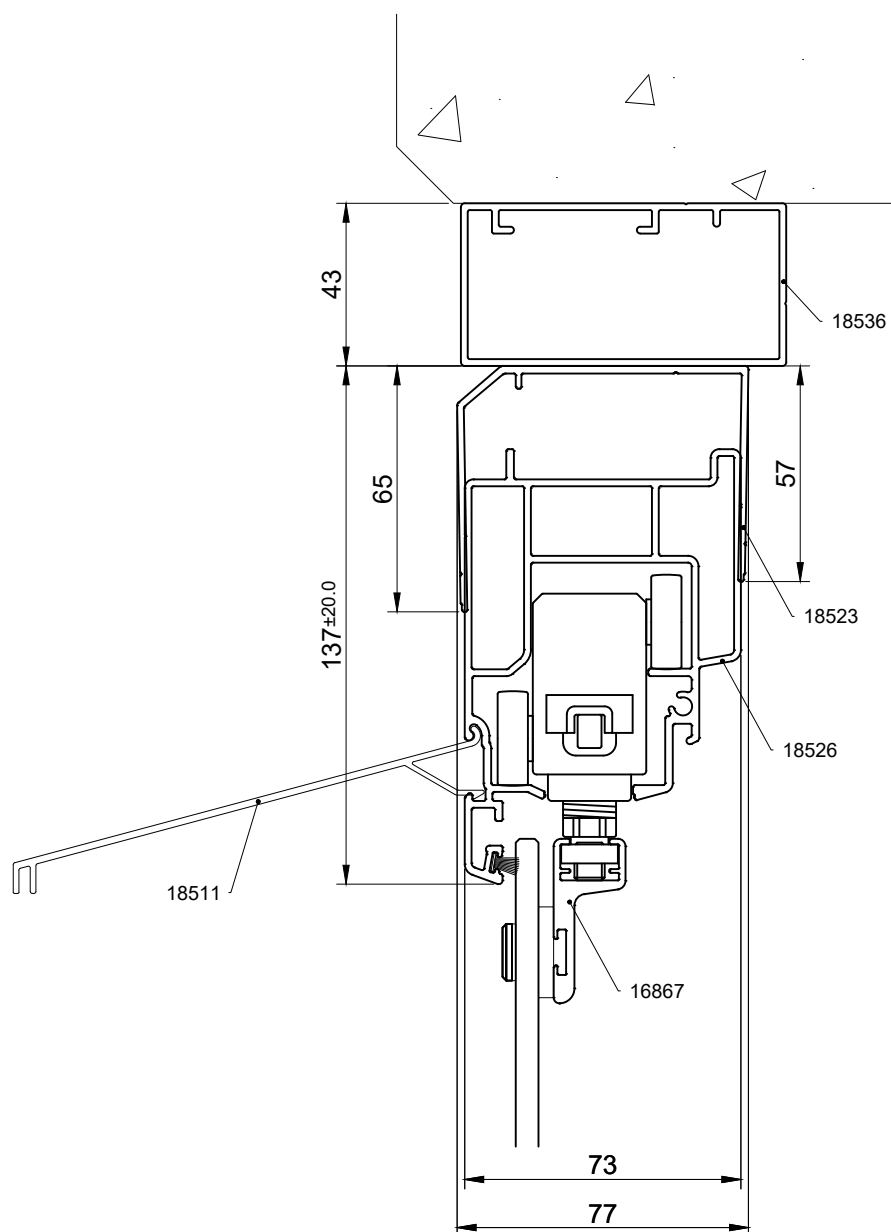
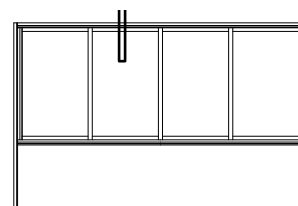
Scale 1:2



Windoer 410
Vertical section top rail rail with 43 x 86 beam, T43

WD410_V101

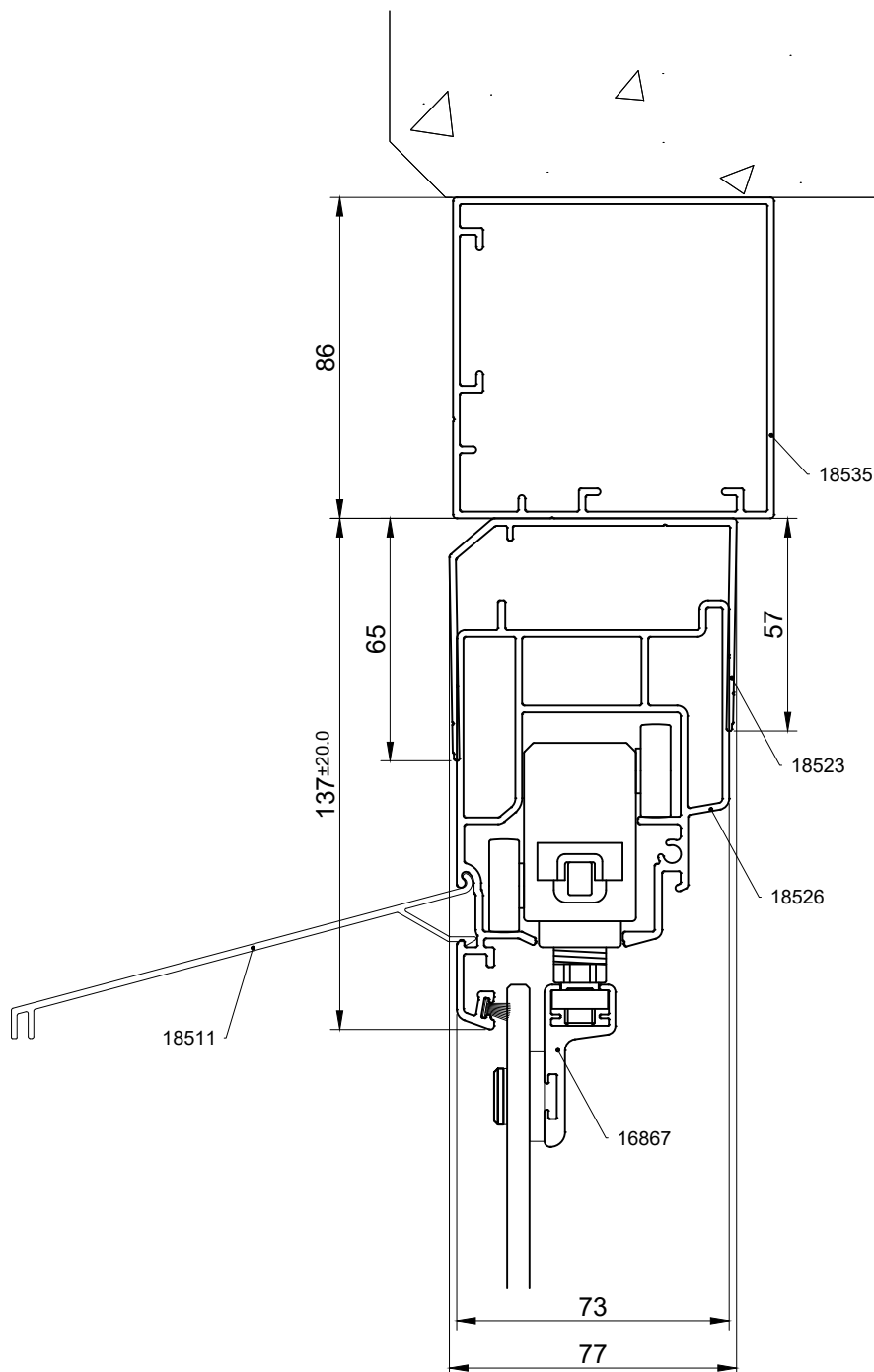
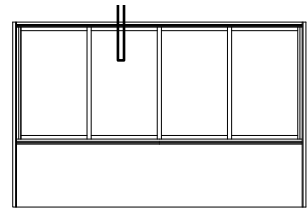
Scale 1:2



Windoer 410
Vertical section top rail rail with 86 x 86 beam, T86

WD410_V102

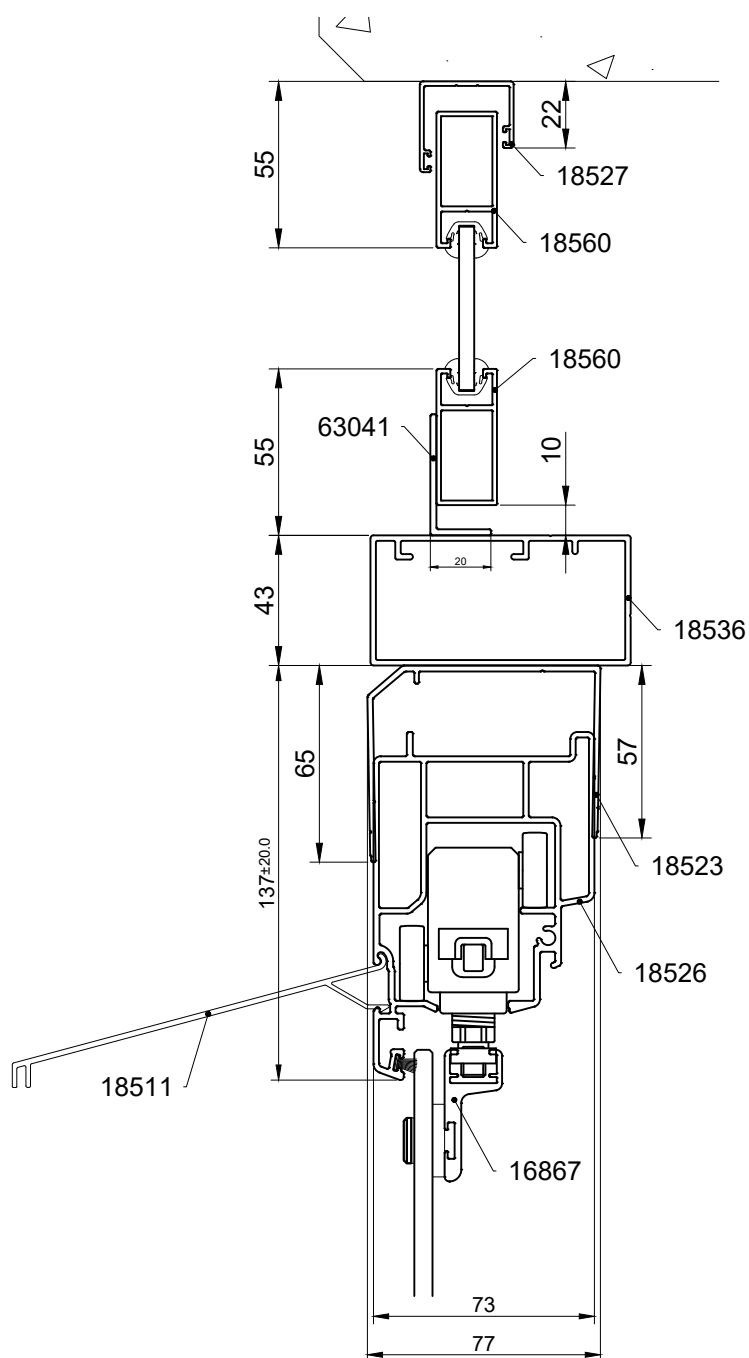
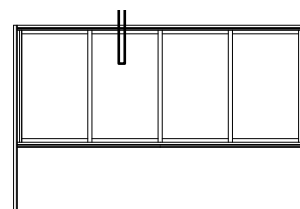
Scale 1:2



Windoor 410
Top rail in vertical section with top light, TG43

WD410_V103

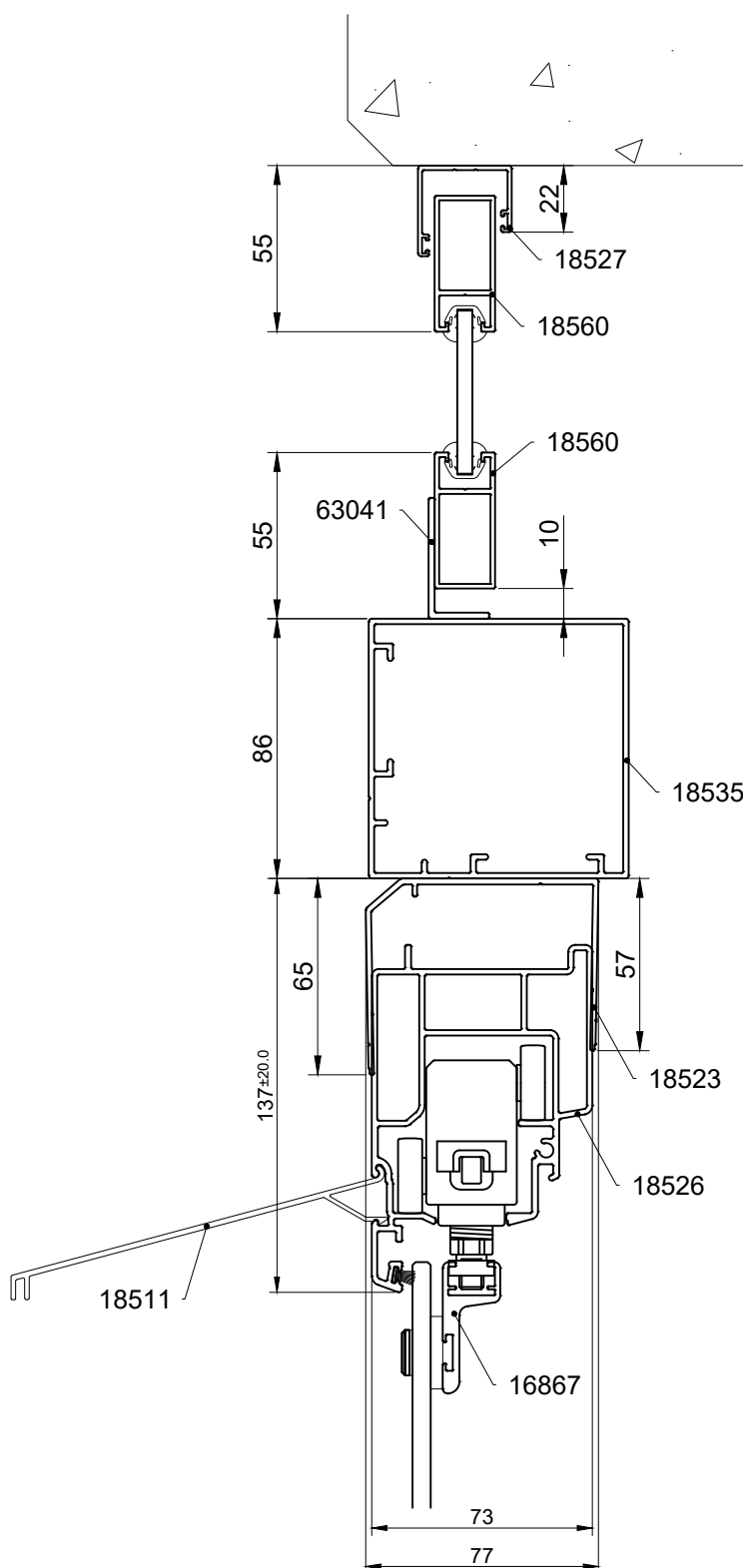
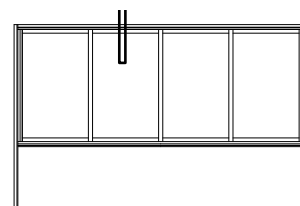
Scale 1:2.5



Windoer 410
Top rail in vertical section with top light, TG86

WD410_V104

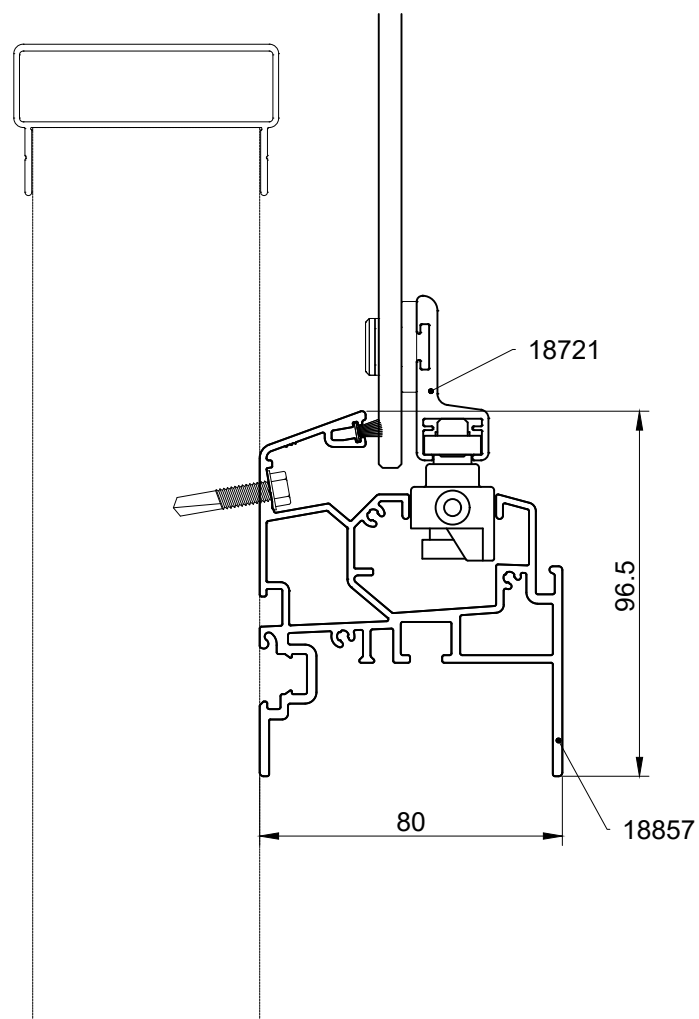
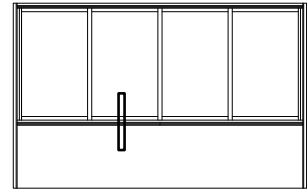
Scale 1:2.5



Windoer 410
Vertical section bottom guide, UC

WD410_V105

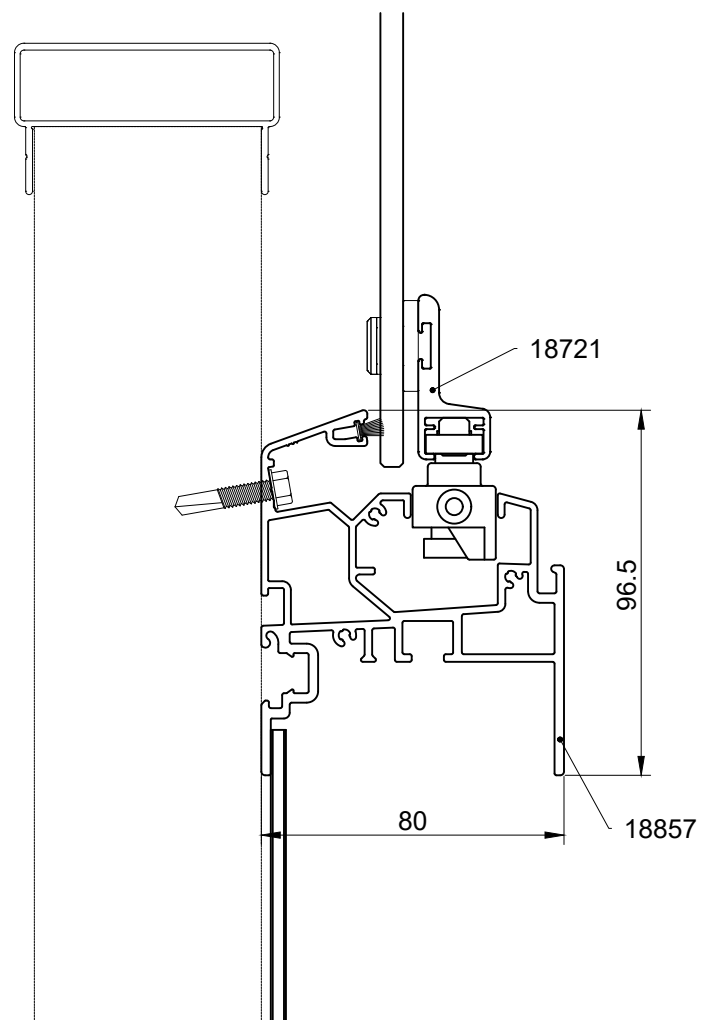
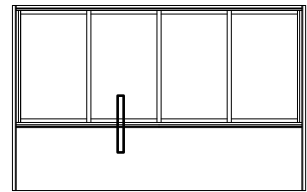
Scale 1:2



Windoer 410
Vertical section bottom guide, UC-C

WD410_V106

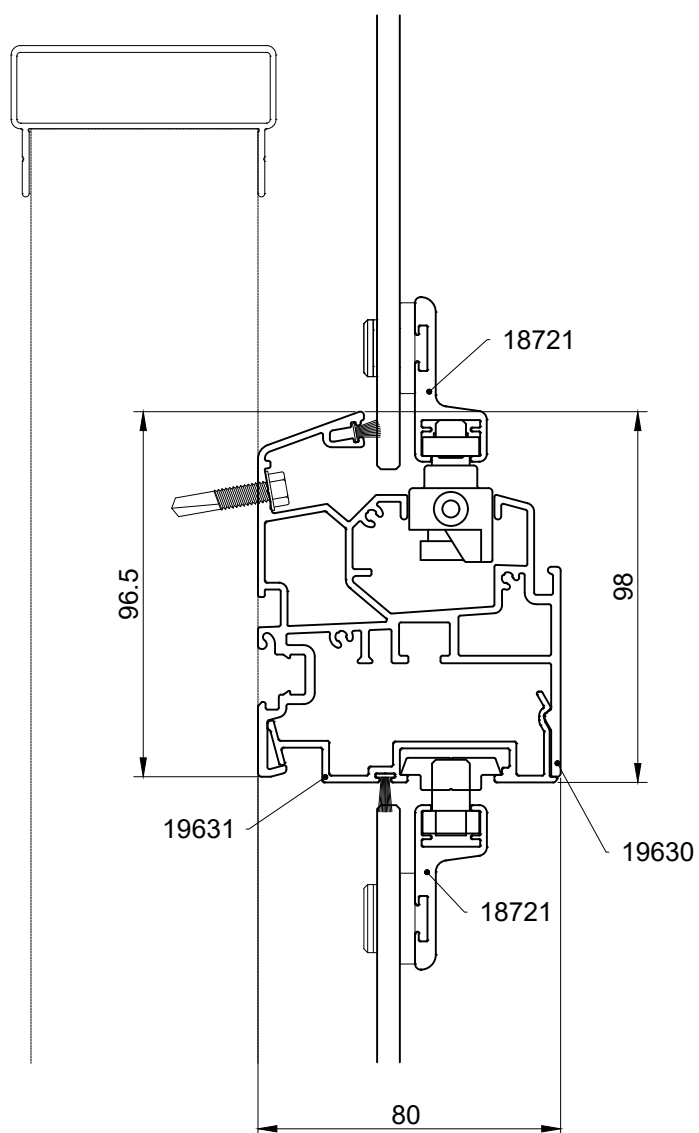
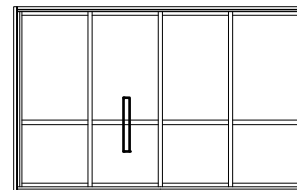
Scale 1:2



Windoer 410
Vertical section bottom guide, UC

WD410_V107

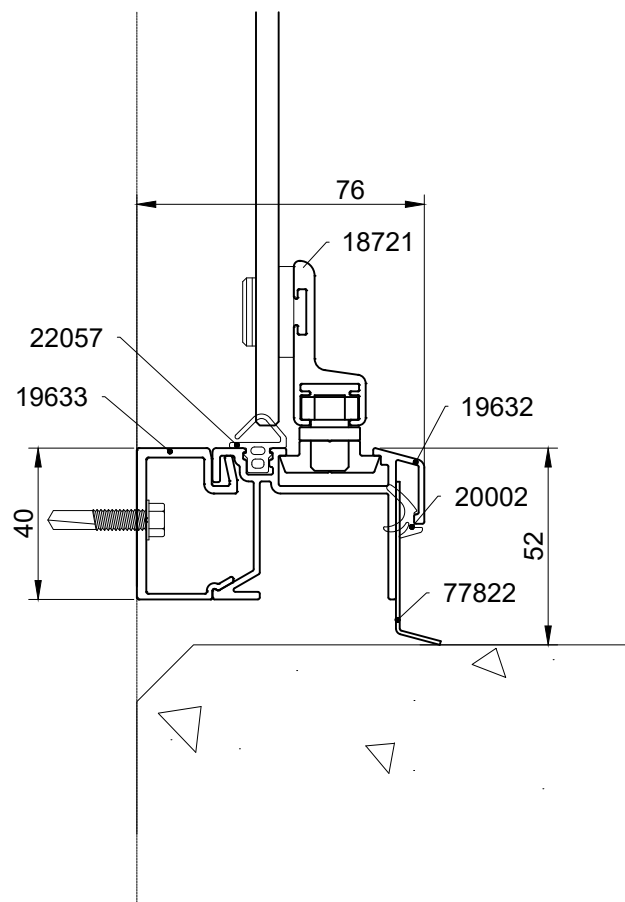
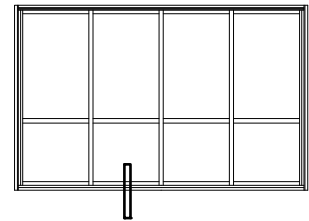
Scale 1:2



Windoer 410
Vertical section bottom guide, UC-Split

WD410_V108

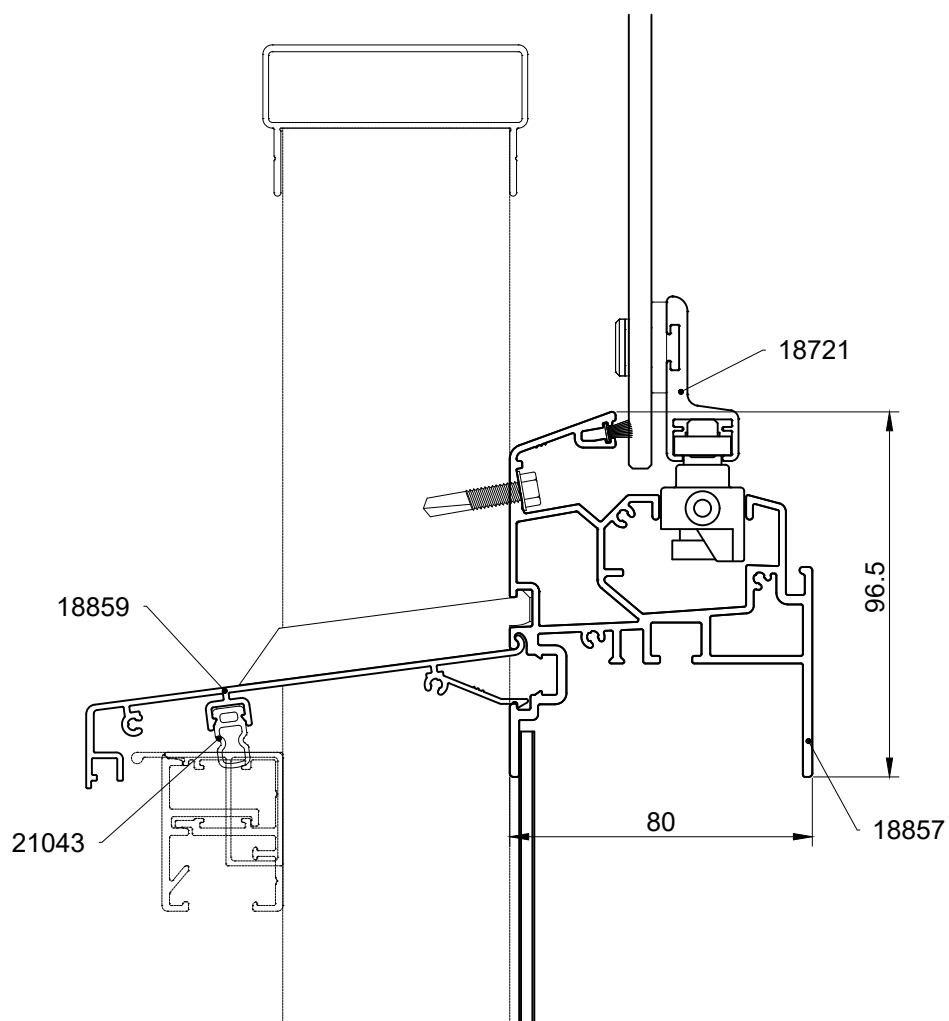
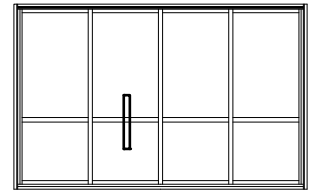
Scale 1:8



Windoer 410
Vertical section bottom guide, WL

WD410_V109

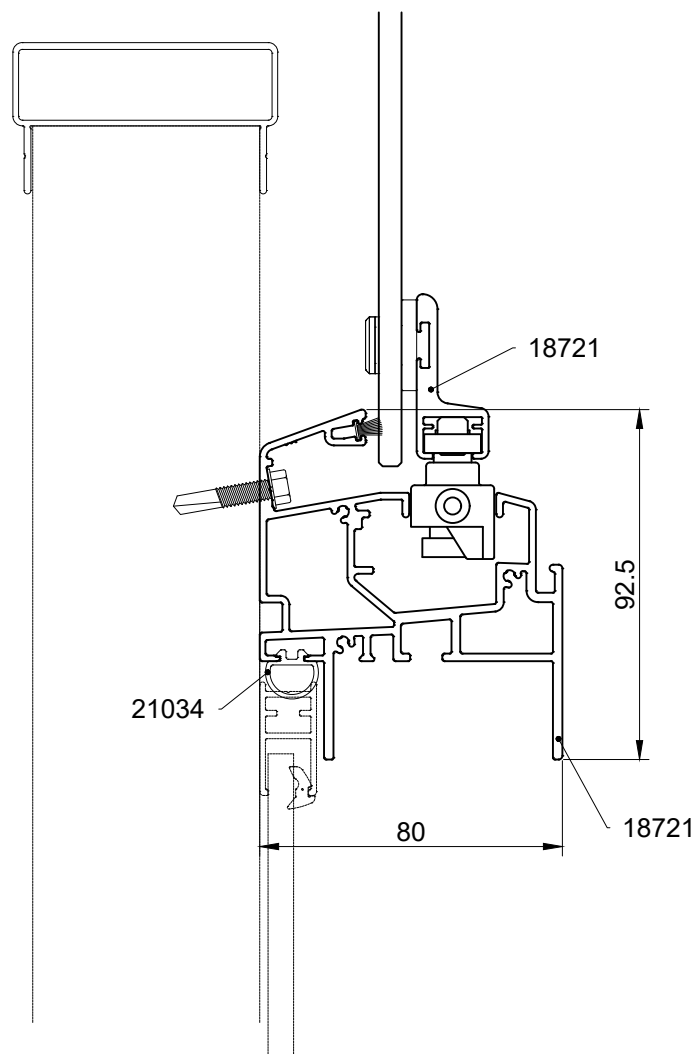
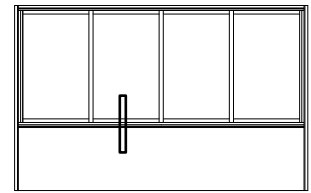
Scale 1:2



Windoer 410
Vertical section bottom guide, OIC

WD410_V110

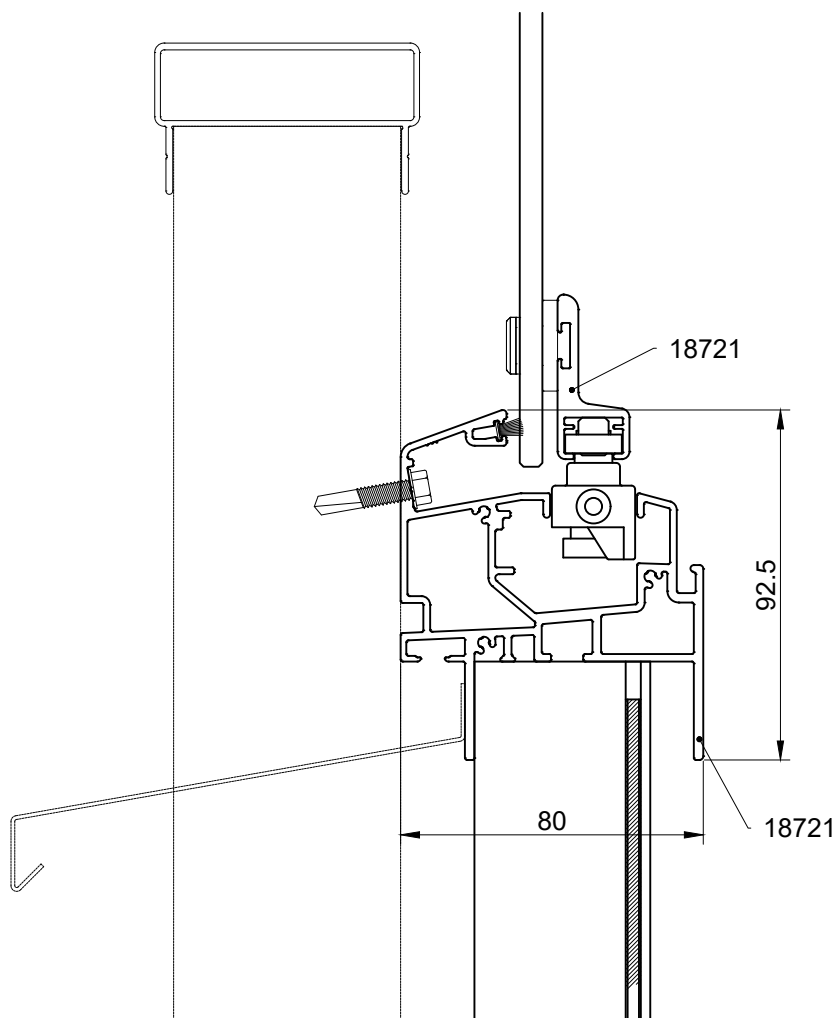
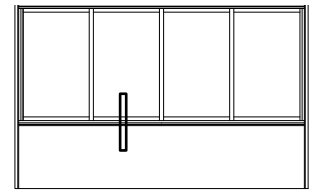
Scale 1:2



Windoer 410
Vertical section bottom guide, WLP

WD410_V111

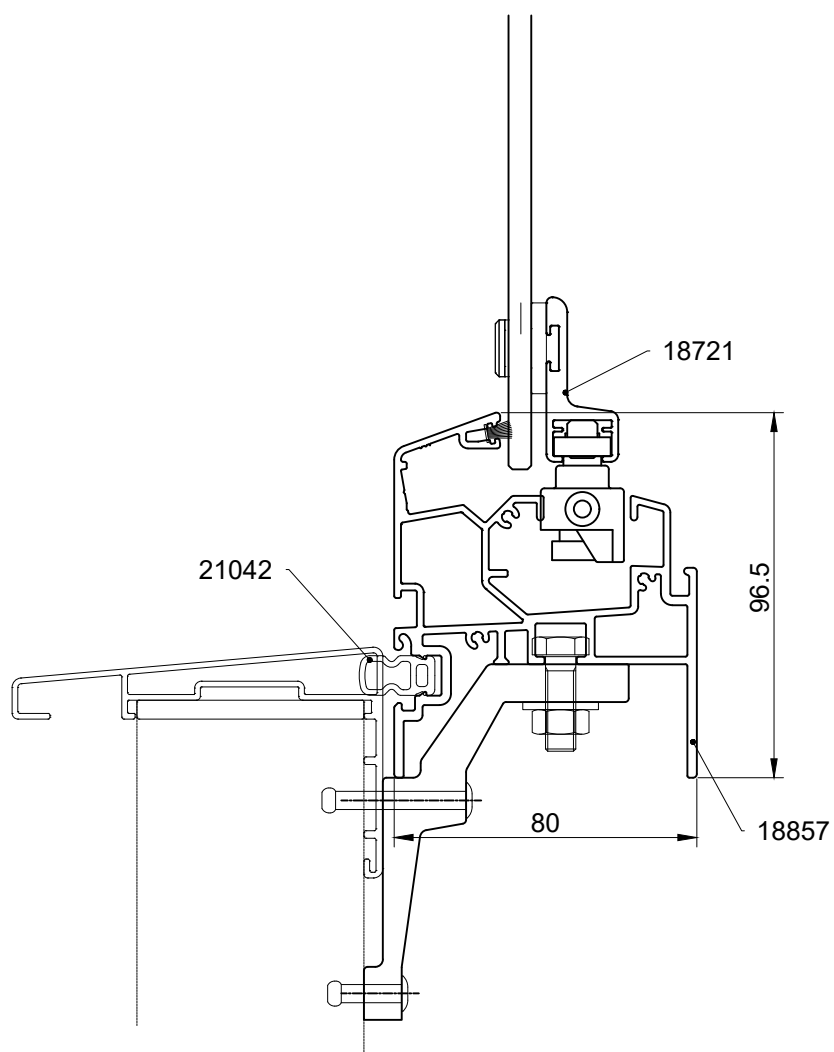
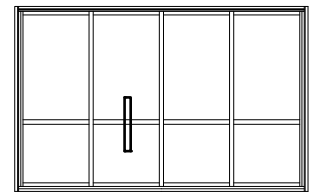
Scale 1:2



Windoer 410
Vertical section bottom guide, OPT

WD410_V112

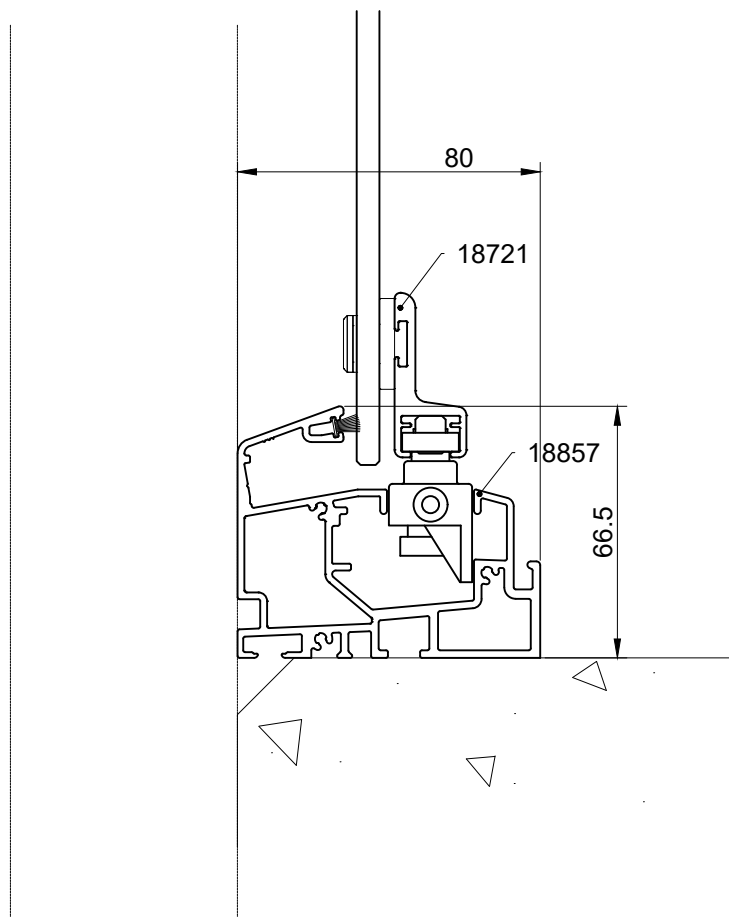
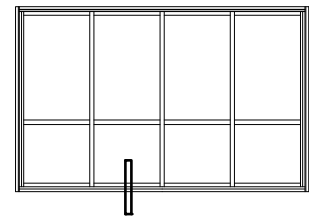
Scale 1:2



Windoer 410
Vertical section bottom guide, OFB

WD410_V113

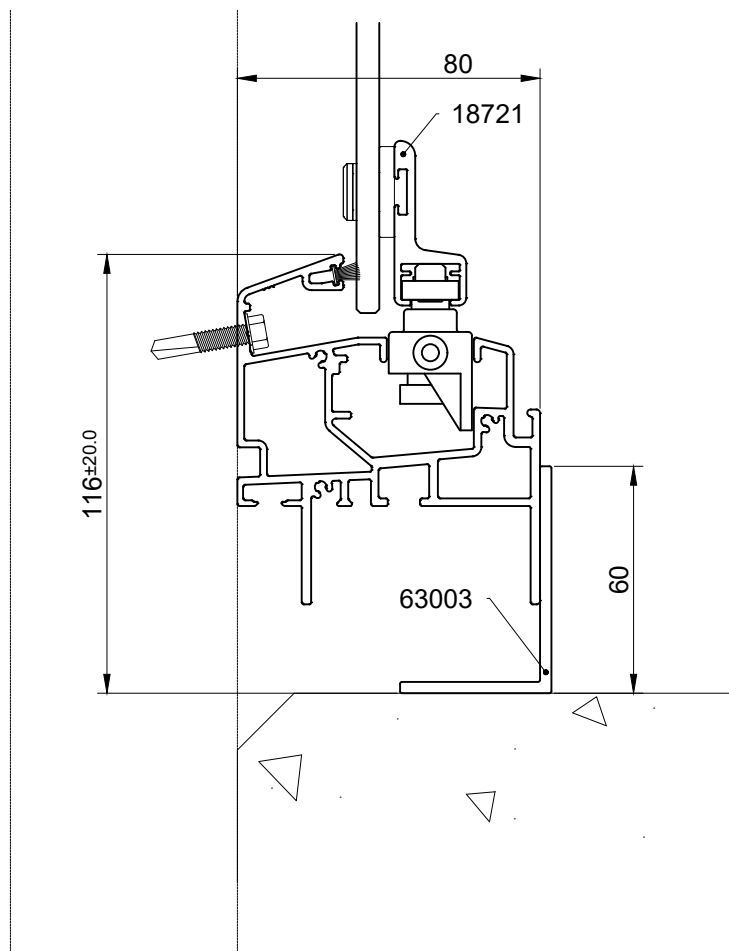
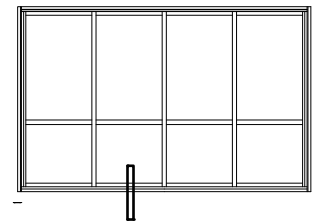
Scale 1:2



Windoer 410
Vertical section bottom guide, OIC-L

WD410_V114

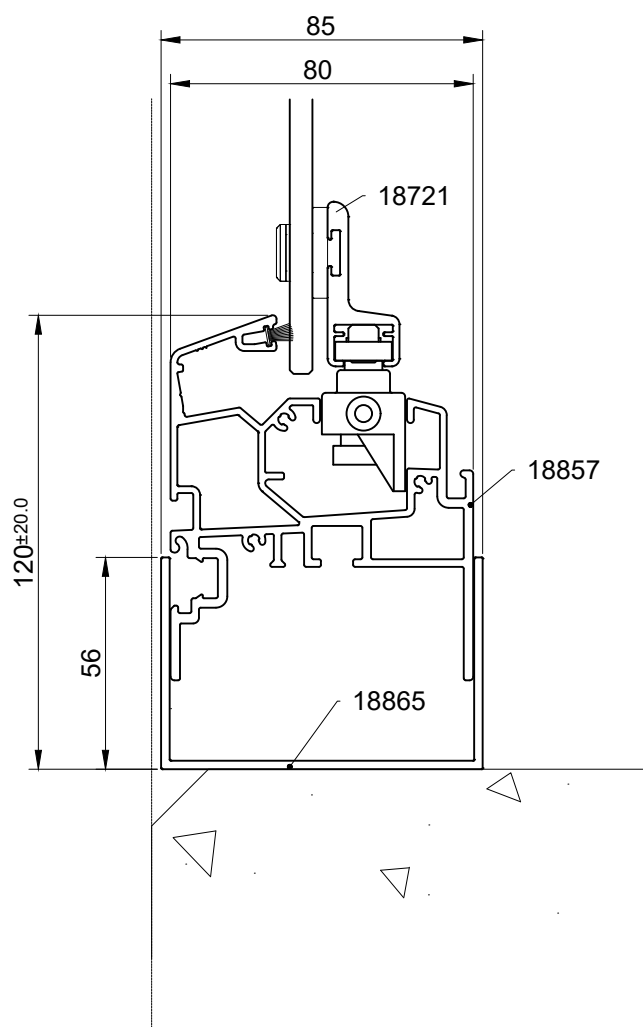
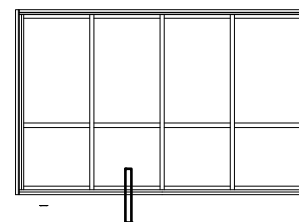
Scale 1:2



Windoer 410
Vertical section bottom guide, UC-U

WD410_V115

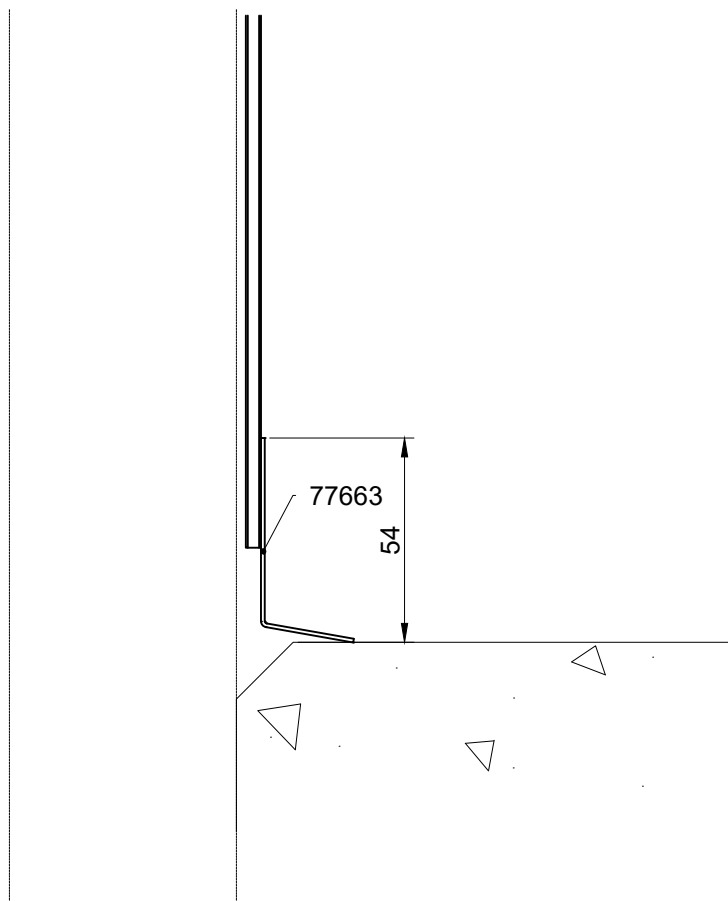
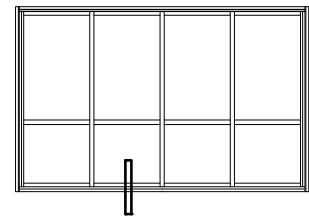
Scale 1:2



Windoer 410
Vertical section bottom, UC-C and WL-C

WD410_V116

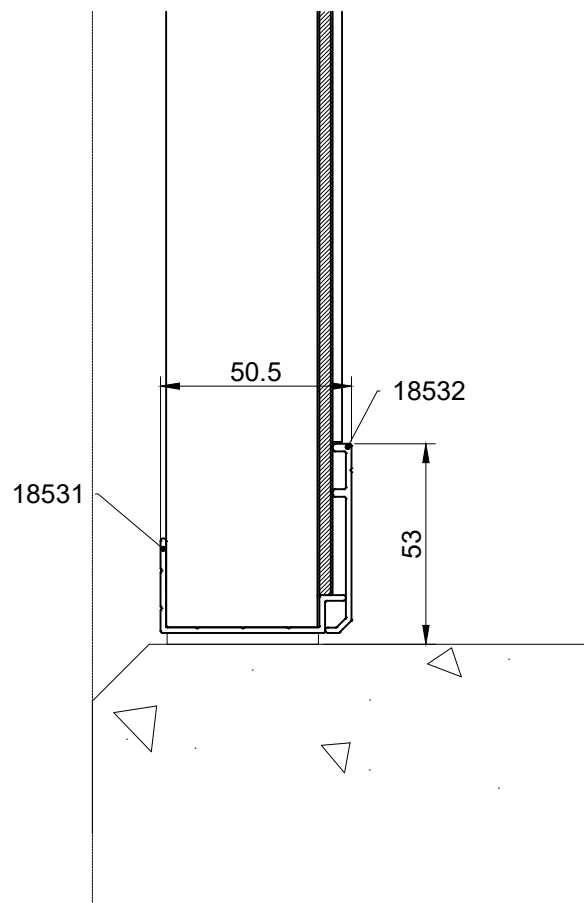
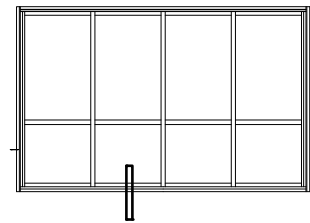
Scale 1:2



Windoor 410
Vertical section bottom, UCP and WLP

WD410_V117

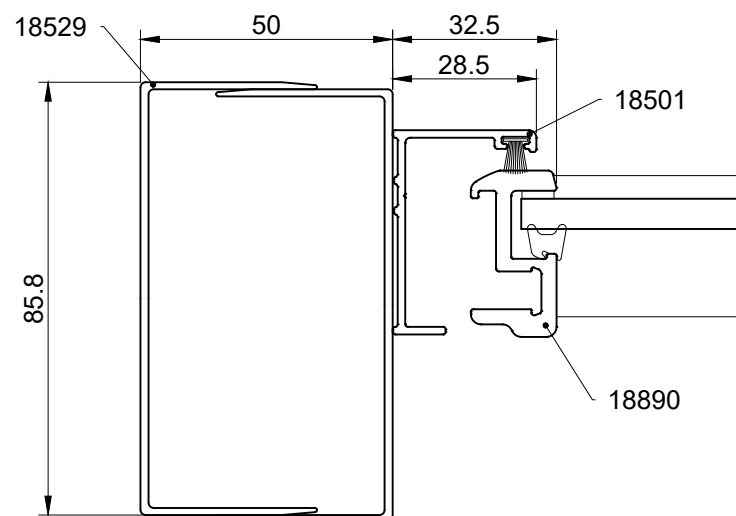
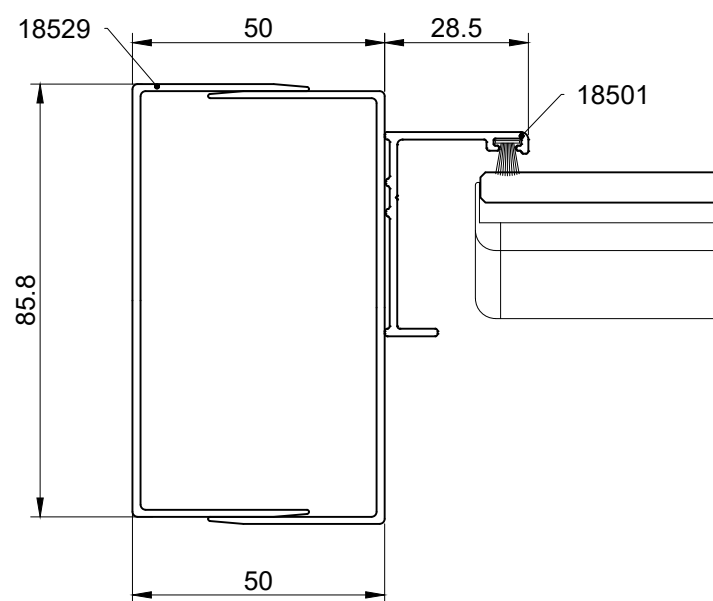
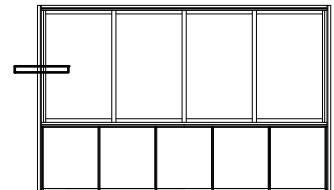
Scale 1:2



Windoer 410
Horizontal section wall-U, slide-stack

WD410_H100

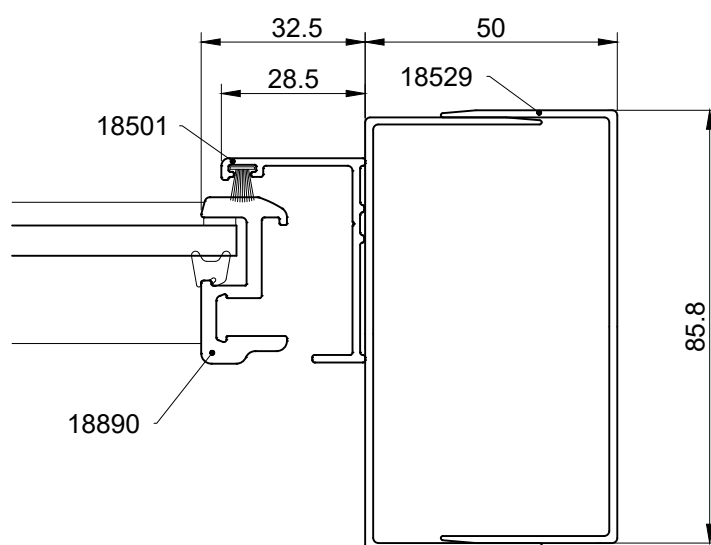
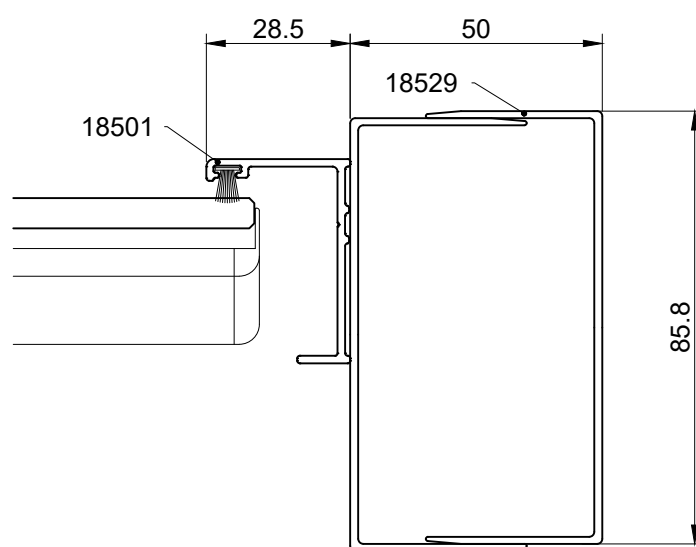
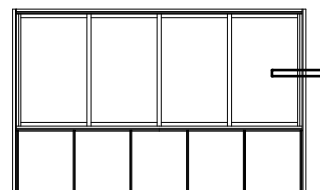
Scale 1:1.5



Windoer 410
Horizontal section wall-U, slide-stack

WD410_H101

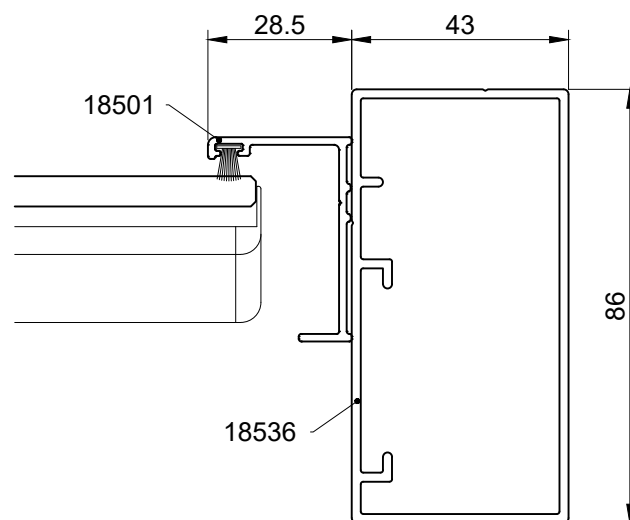
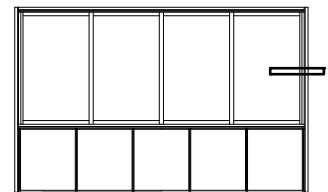
Scale 1:1.5



Windoer 410
Horizontal section wall W43, slide-stack

WD410_H102

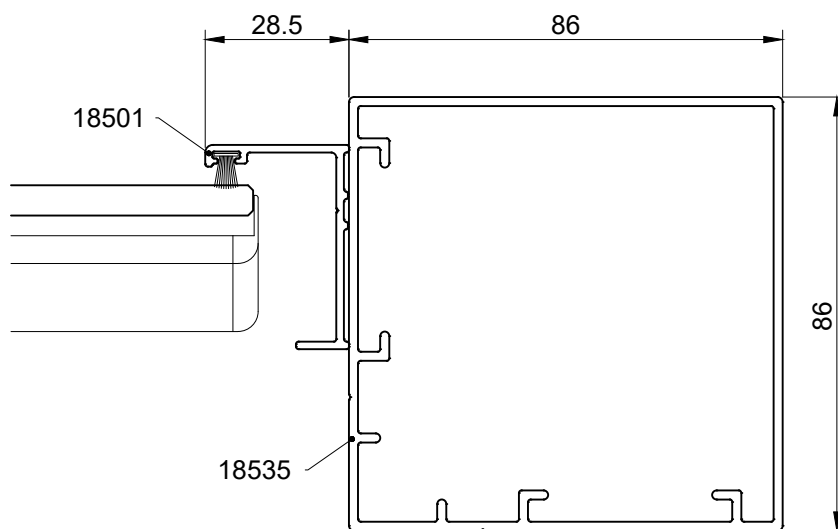
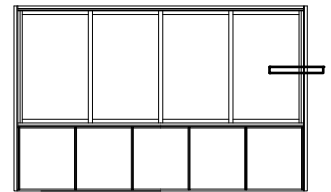
Scale 1:1.5



Windoer 410
Horizontal section wall W86, slide-stack

WD410_H103

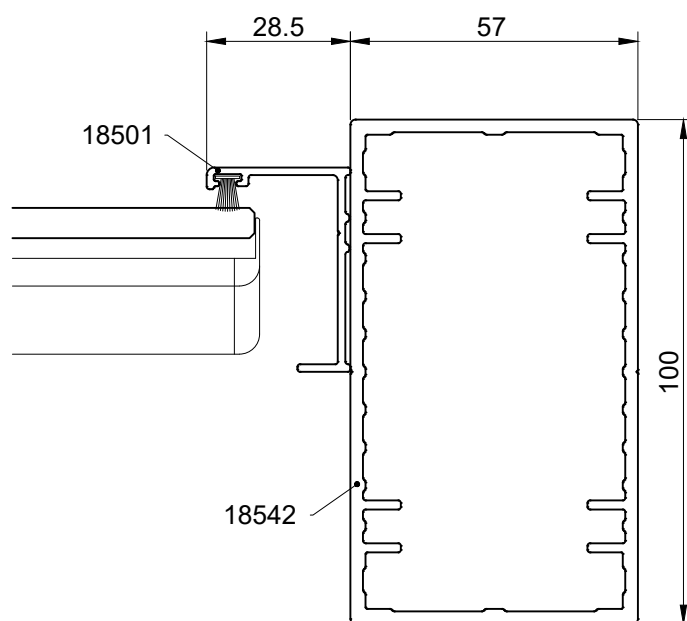
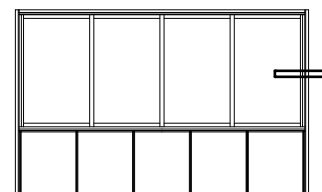
Scale 1:1.5



Windoer 410
Horizontal section wall W57, slide-stack

WD410_H104

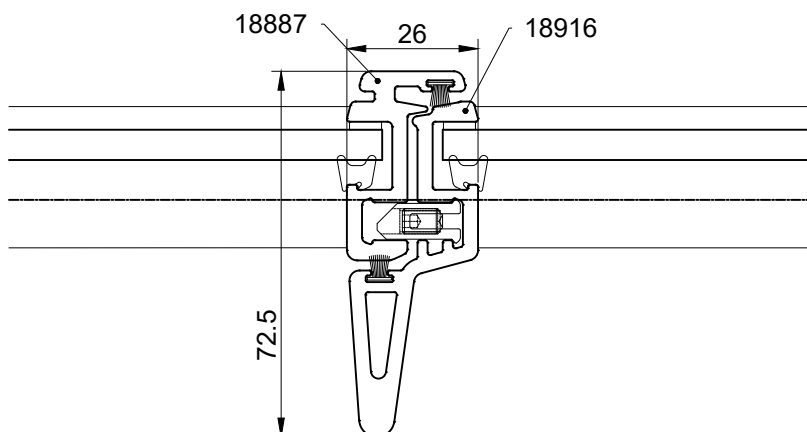
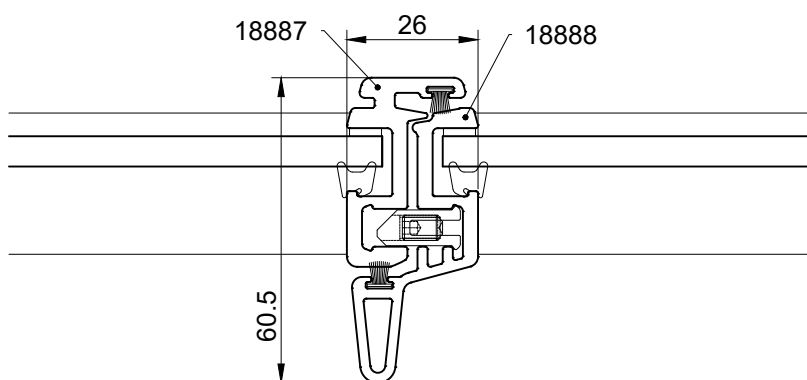
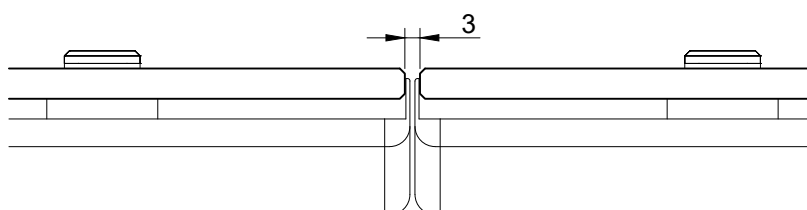
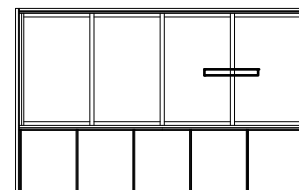
Scale 1:1.5



Windoer 410
Horizontal section, panel meeting

WD410_H105

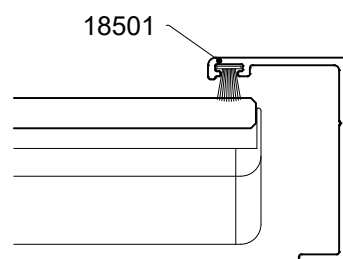
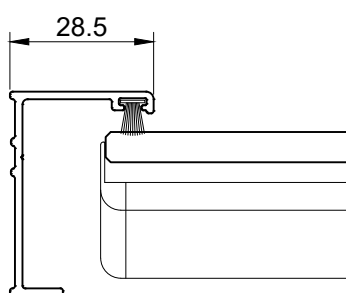
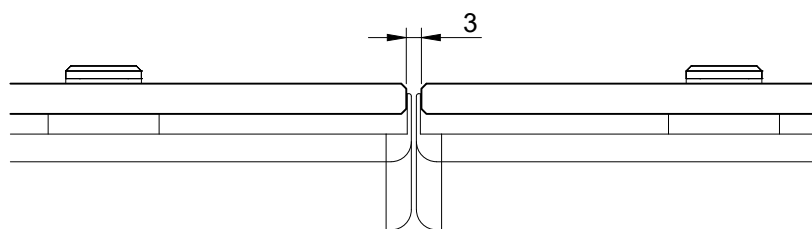
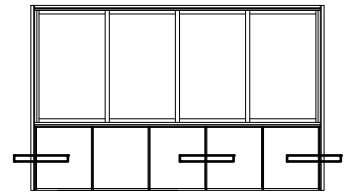
Scale 1:1.5



Windoer 410
Horizontal section, parapet split panel

WD410_H106

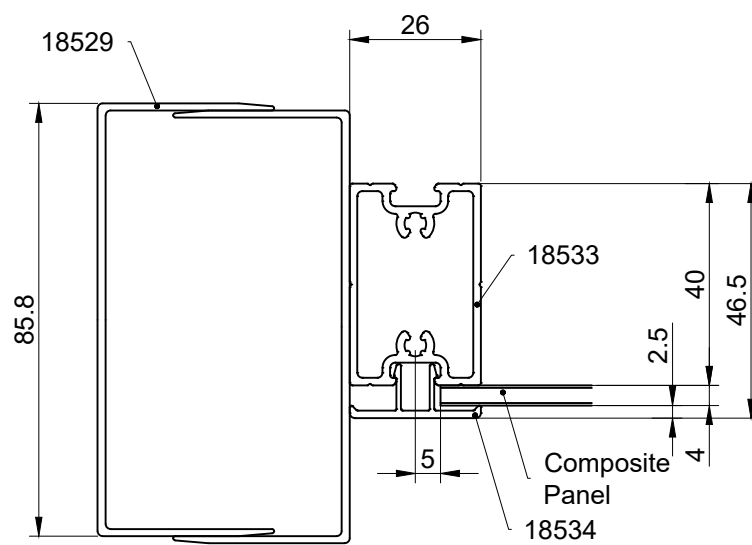
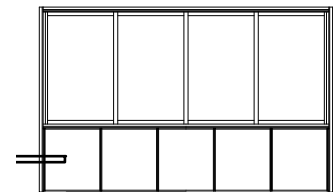
Scale 1:1.5



WD 410:
Horizontal section, wall parapet

WD410_H107

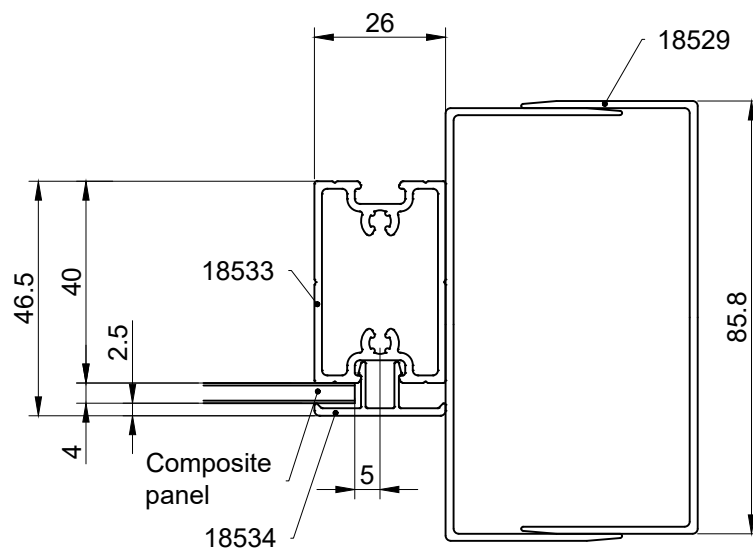
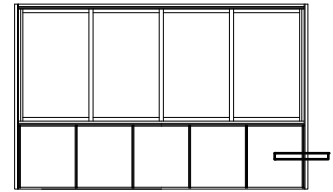
Scale 1:1.5



Windoer 410
Horizontal section, wall parapet

WD410_H108

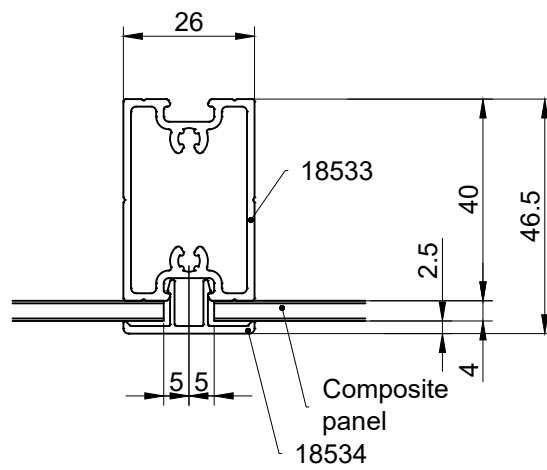
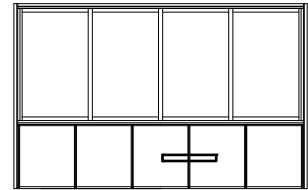
Scale 1:1.5



Windoer 410
Horizontal section, parapet mullion

WD410_H109

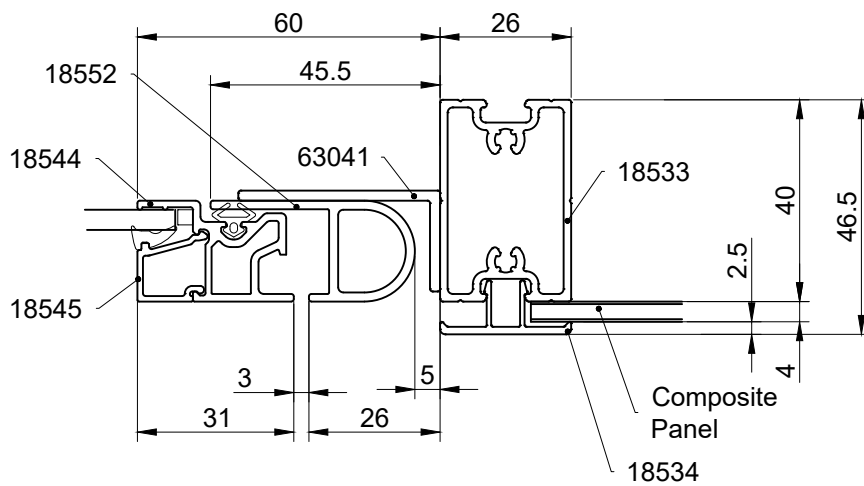
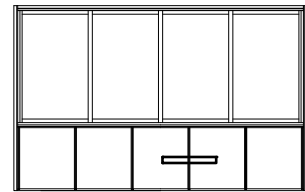
Scale 1:1.5



Windoer 410
Horizontal section, parapet mullion / O-panel

WD410_H110

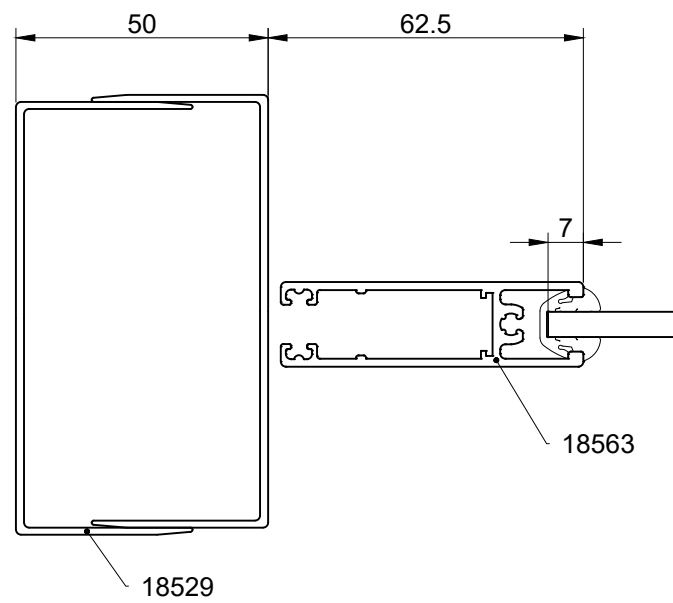
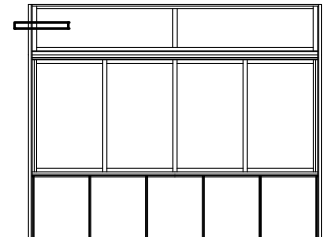
Scale 1:1.5



Windoer 410
Horizontal section wall / top light

WD410_H111

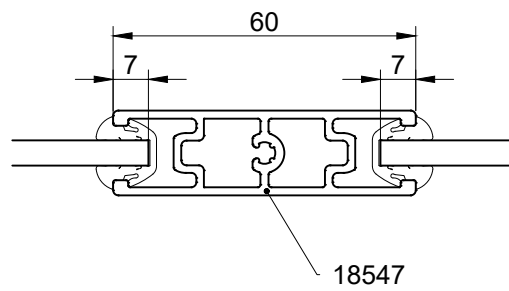
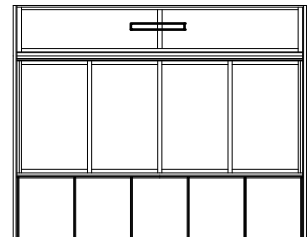
Scale 1:1.5



Windoer 410
Horizontal section, top light mullion

WD410_H112

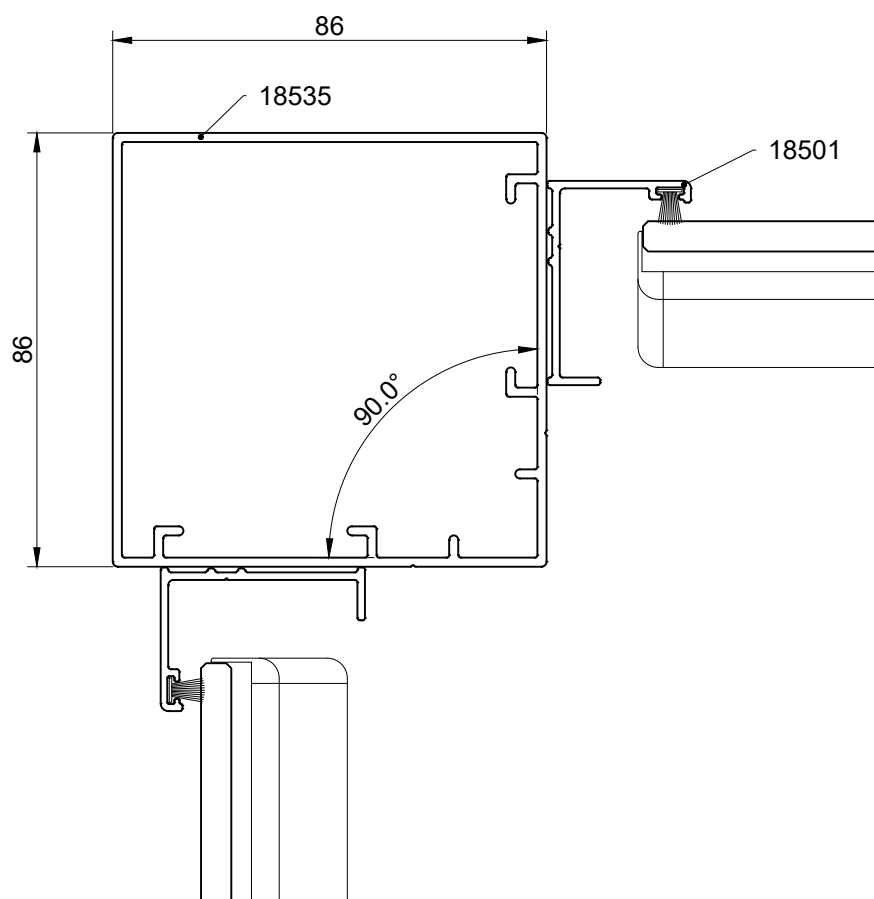
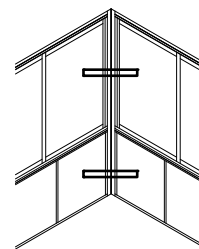
Scale 1:1.5



Windoer 410
Horizontal section, 90° corner

WD410_C100

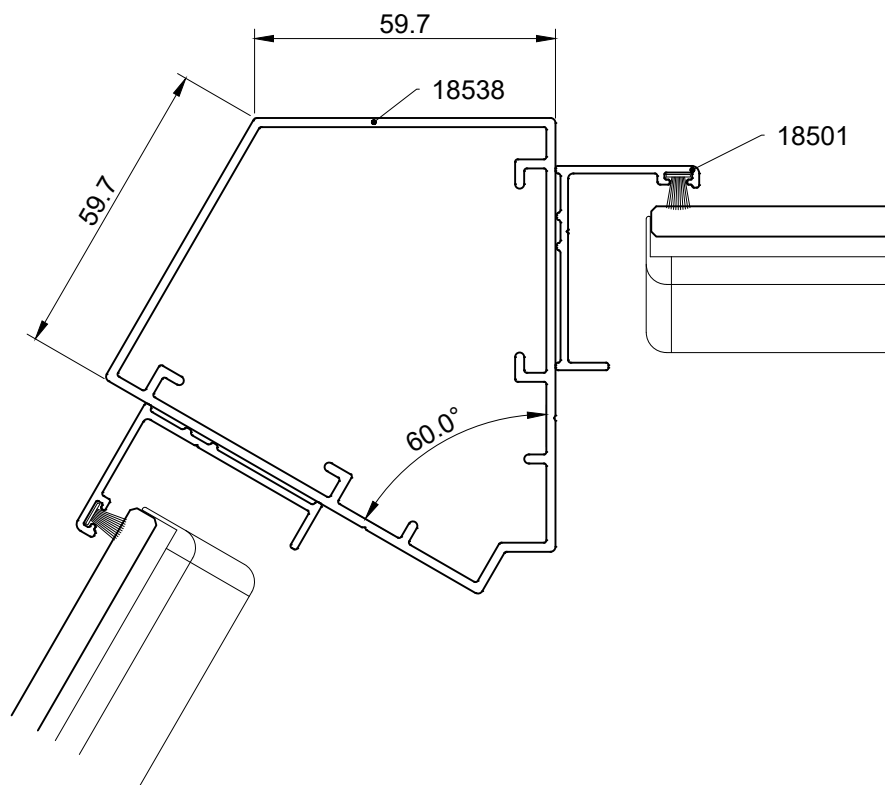
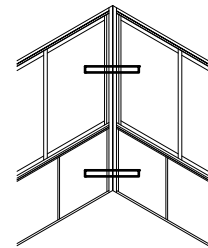
Scale 1:1.5



Windoer 410
Horizontal section, 60° corner

WD410_C101

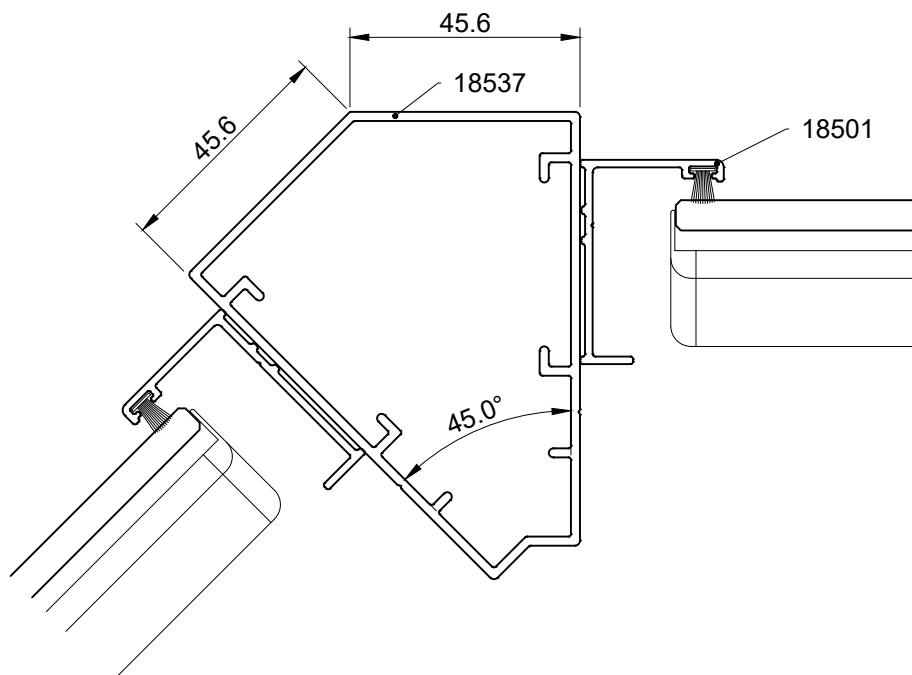
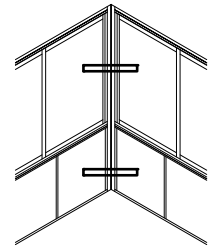
Scale 1:1.5



Windoer 410
Horizontal section, 45° corner

WD410_C102

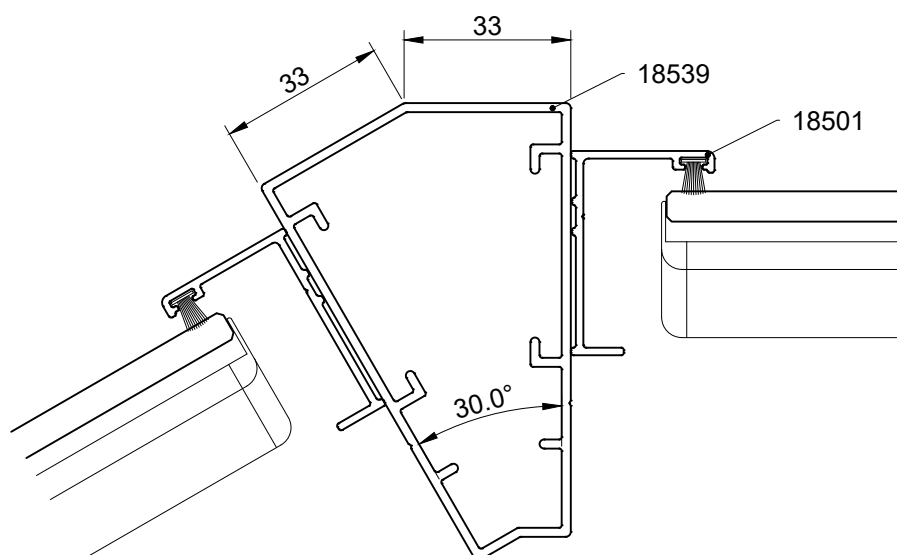
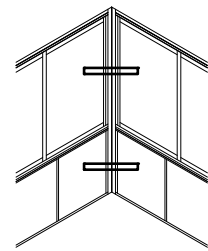
Scale 1:1.5



Windoer 410
Horizontal section, 30° corner

WD410_C103

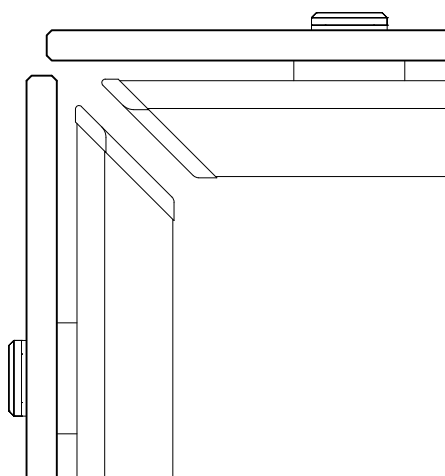
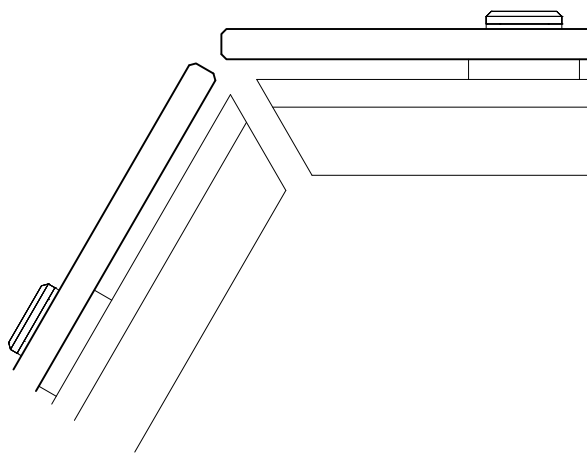
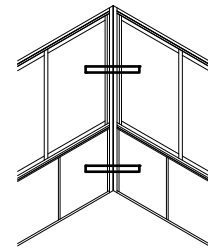
Scale 1:1.5



Windoer 410
Horizontal section, glass corner

WD410_C104

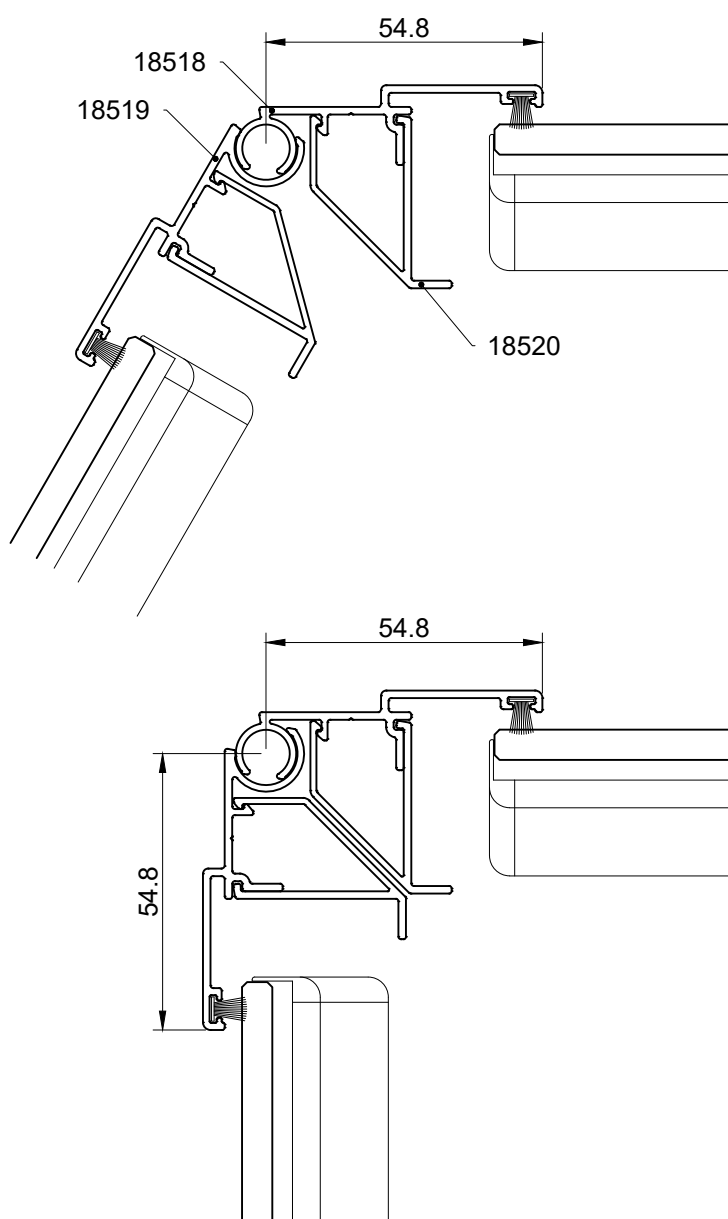
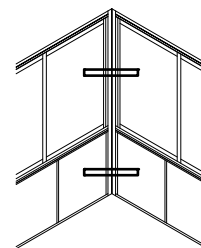
Scale 1:1.5



Windoer 410
Horizontal section, corner profile CV / light panel

WD410_C105

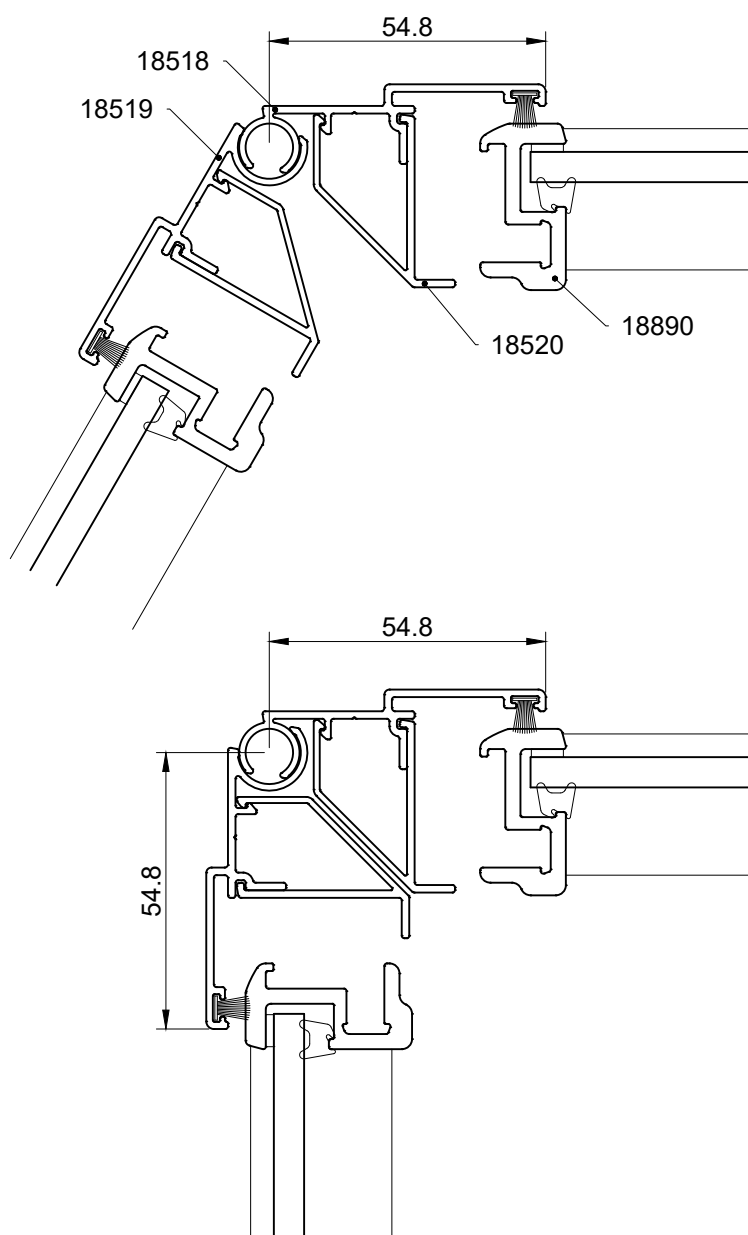
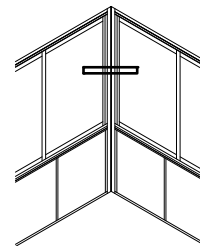
Scale 1:1.5



Windoer 410
Horizontal section, corner profile CV / silhouette panel

WD410_C106

Scale 1:1.5



Your Sunparadise Specialist Partner

Take advantage of the wide range of Sunparadise products and our proven expert consultations.

sunparadise.com